

# Multimedia LCD iS2

## Technical Specification

## 1.0 Introduction

The iS2 LCD was designed with the easy operation interface, letting the customer ability to operate contents easily using the software provided by us. The iS2 is a slim advanced LCD display unit that has the following functions

- Elevator Info
  - Floor and travel directions of lift
  - Floor directory messages
  - Lift status messages
  - Scrolling messages
- Energy Saving and Eco-Friendly
  - LED backlight technology
  - Scheduler for screen power management
  - Screen brightness dimming feature
  - Improved lifespan
- Web Feed and Enhanced Graphics
  - Web feed and internet data
  - Extended graphical support and application and (animated objects, software application)
  - High definition playback content
- Wireless Connection<sup>1</sup>
  - Content updating
  - Surveillance
  - Monitoring and diagnostic
- Contents Visualization
  - Date/Time
  - MPEG 1/2/4 playback<sup>23</sup>
  - Video Streaming(through Video server)
  - Portrait/Landscape view
  - Scheduled-based content<sup>4</sup>
  - Configuration update through Thumb-drive, Wireless and Ethernet Network
  - Support 10.4", 12.1", 15", 19" & 21.5" LCD panel customizable to other sizes.

<sup>1</sup>: For in-Car mode as USB extension cable replacement.

<sup>2</sup>: MPEG4(Xvid/H.264) for MPEG4 playback

<sup>3</sup>: Max Video size to be 80% of the card capacity. (Default card capacity: 1 GB)

<sup>4</sup>: Not recommended for background pictures

- Content Editing Software allows greater flexibility in changing elements:
  - Types and location of directional 3D arrows
  - Set Date/Time<sup>5</sup>
  - Fonts, colour, location of the floor numbers
  - Specify video files to play<sup>6</sup>
  - Specify video stream to play<sup>6</sup>
  - Fonts, size, colour, location of messages
  - Edit content of floor directory and user messages
  - Scheduling
  - Control/Monitoring/Diagnostic
- Annunciation with auto volume adjustment<sup>7</sup>
  - Floor
  - Message
  - Gong

<sup>5</sup>: Daylight Saving to be supported

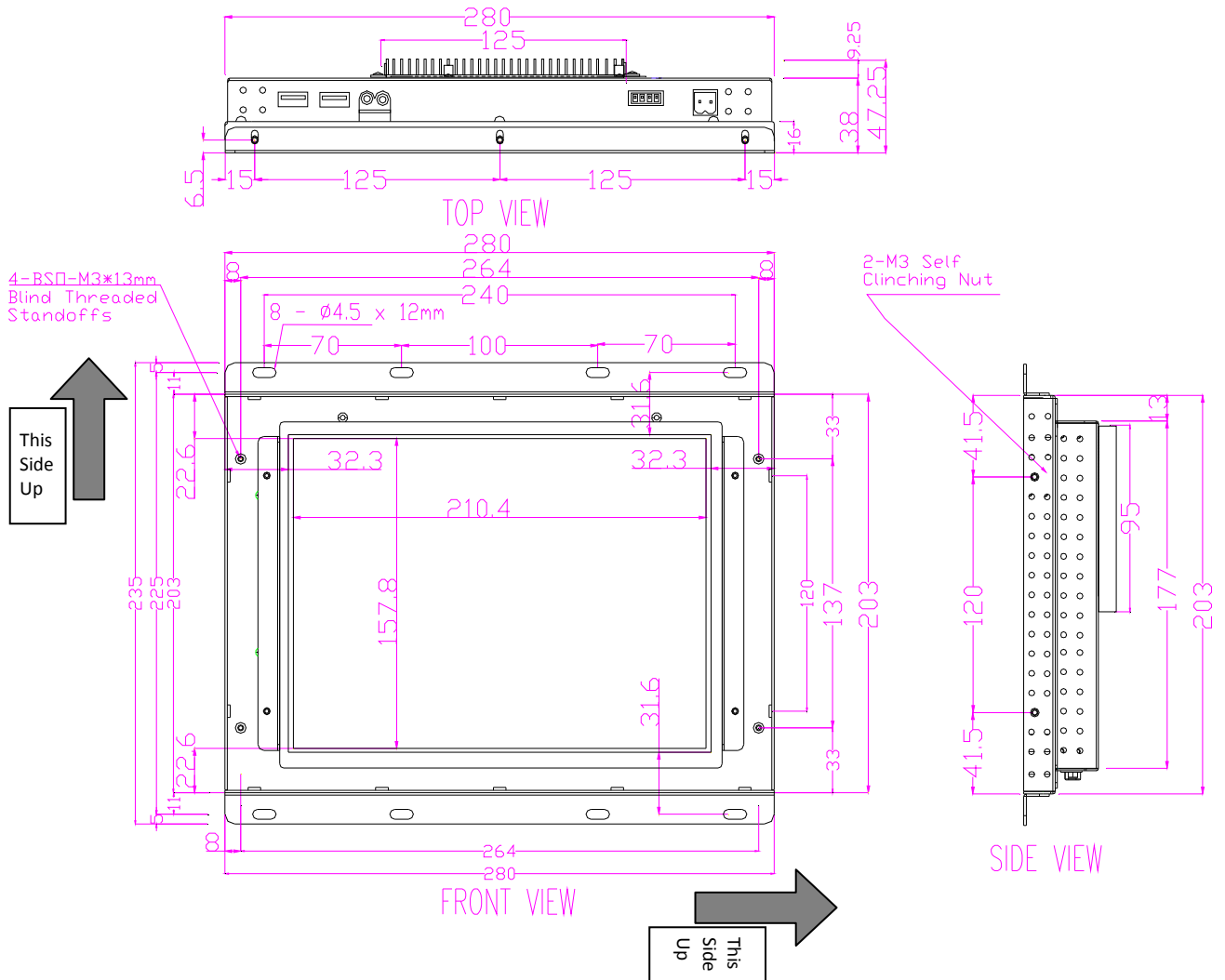
<sup>6</sup>: Max Video resolution for optimal performance is HD format

<sup>7</sup>: Valid and timely trigger source for annunciation needs to be provided by Lift controller. Audio library needs to be provided by customer if default library is not to be used.



## 2.0 Mechanical Drawings

### 2.1 Mechanical Dimension (10.4")

E-Motive Part Number: iS2-104-913

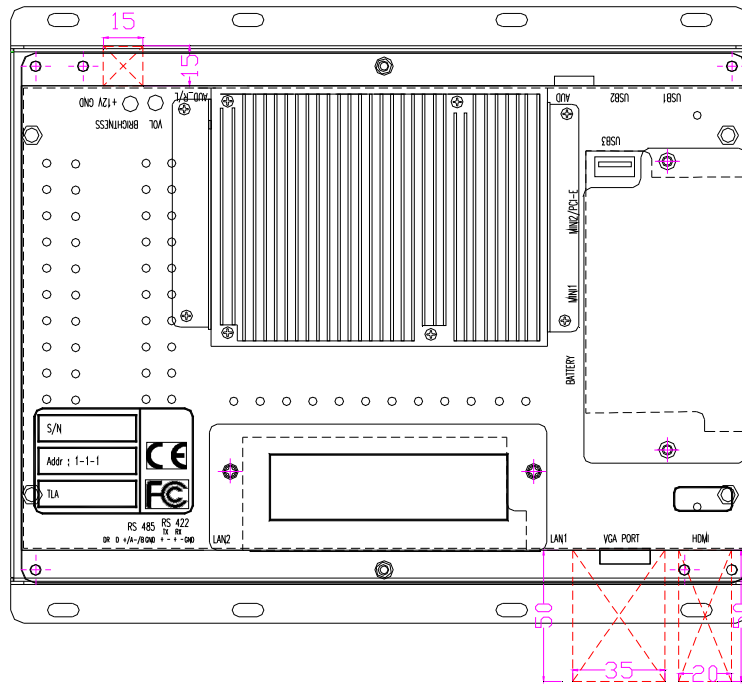


Note 1: Lens is optional item. Dimension will be provided separately. Window cut-out should reference to Lens cut-out (if any)

Note 2:  in Landscape mode,  in Portrait mode

Please refer to next page for minimum cable allowance.

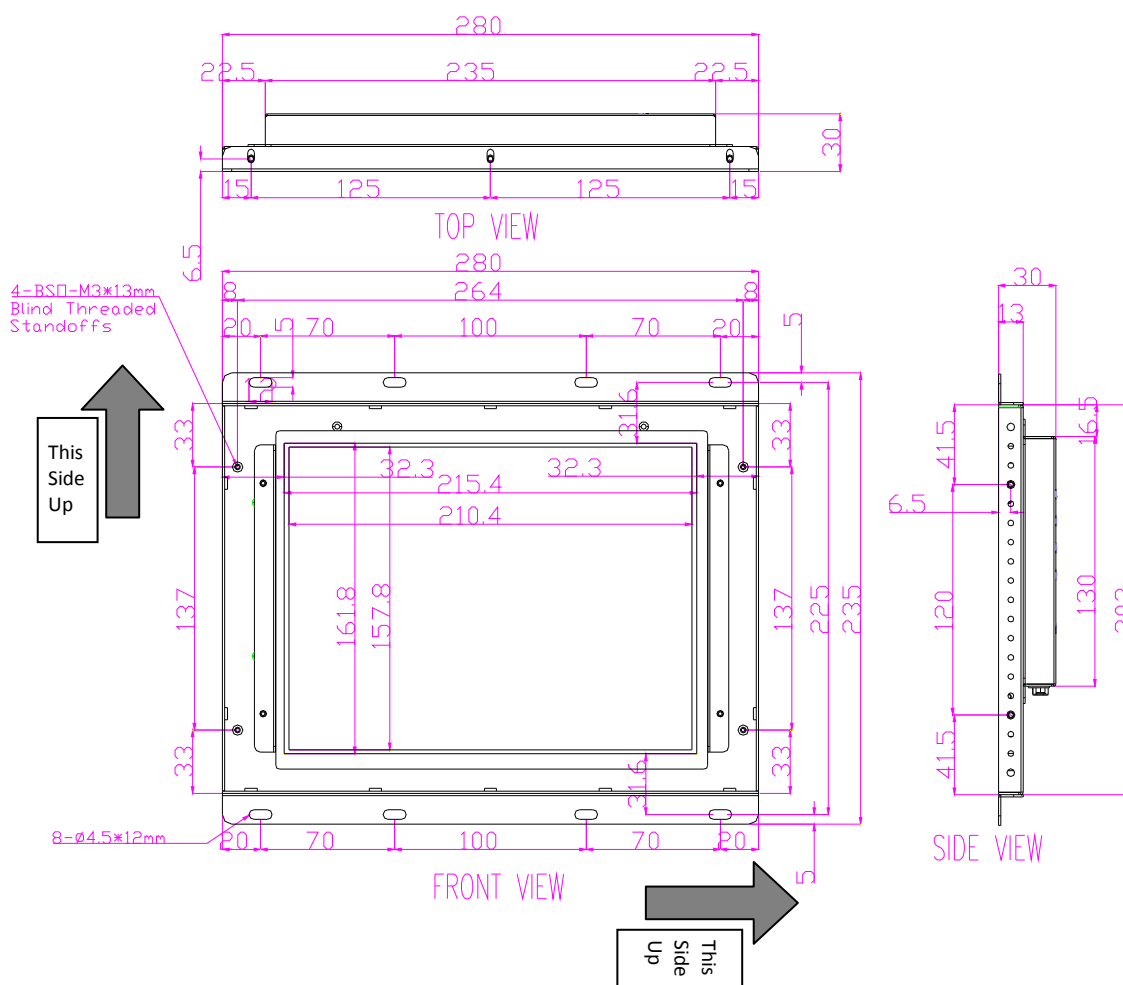
### Back VIEW



**Note 3:** The minimum mounting clearance required for the cable entry is indicated by the red boxes.



## 2.2 Mechanical Dimension (10.4" Aux. Screen)

E-Motive Part Number: OF-104-913



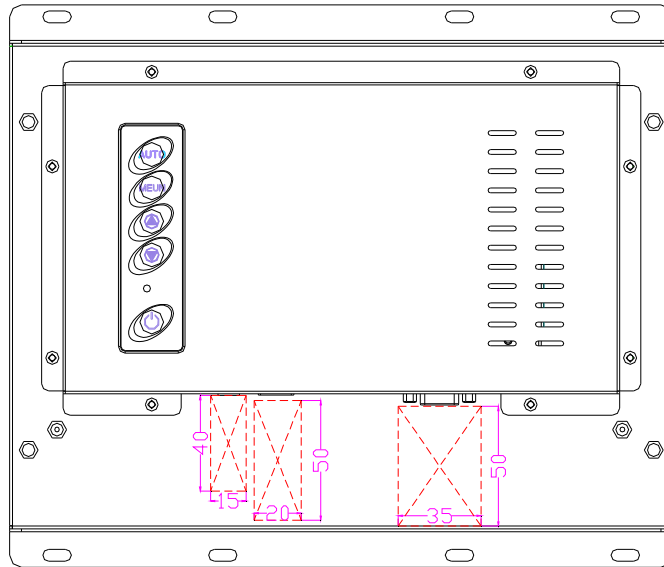
**Note 1:** Mounting Hole of open Frame is identical to Main Display

**Note 2:** Lens is optional item. Dimension will be provided separately. Window cut-out should reference to Lens cut-out (if any)

**Note 3:**  in Landscape mode,  in Portrait mode

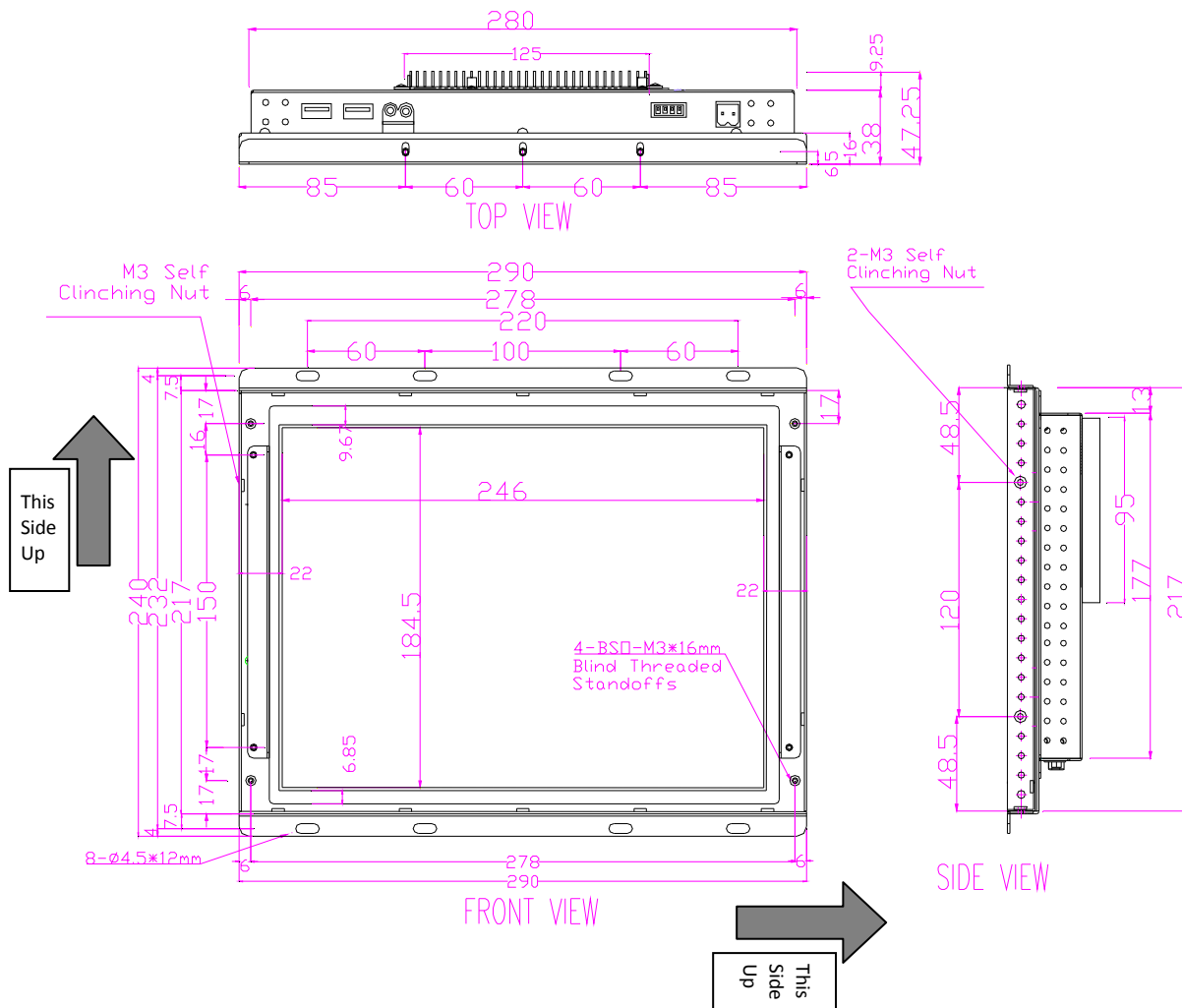
Please refer to next page for minimum cable allowance.

### Back VIEW



Note 4: The minimum mounting clearance required for the cable entry is indicated by the red boxes.

### 2.3 Mechanical Dimension (12.1" Main Screen) E-Motive Part Number: iS2-121-913



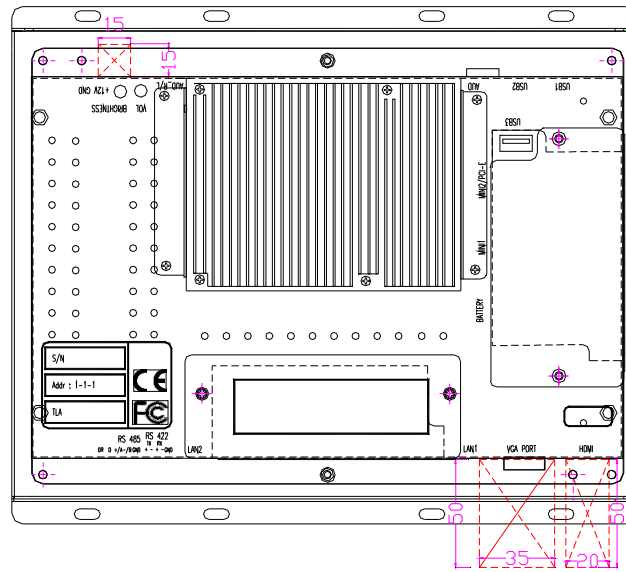
**Note 1:** Lens is optional item. Dimension will be provided separately. Window cut-out should reference to Lens cut-out (if any)

**Note 2:**  in Landscape mode,  in Portrait mode

Please refer to next page for minimum cable allowance.



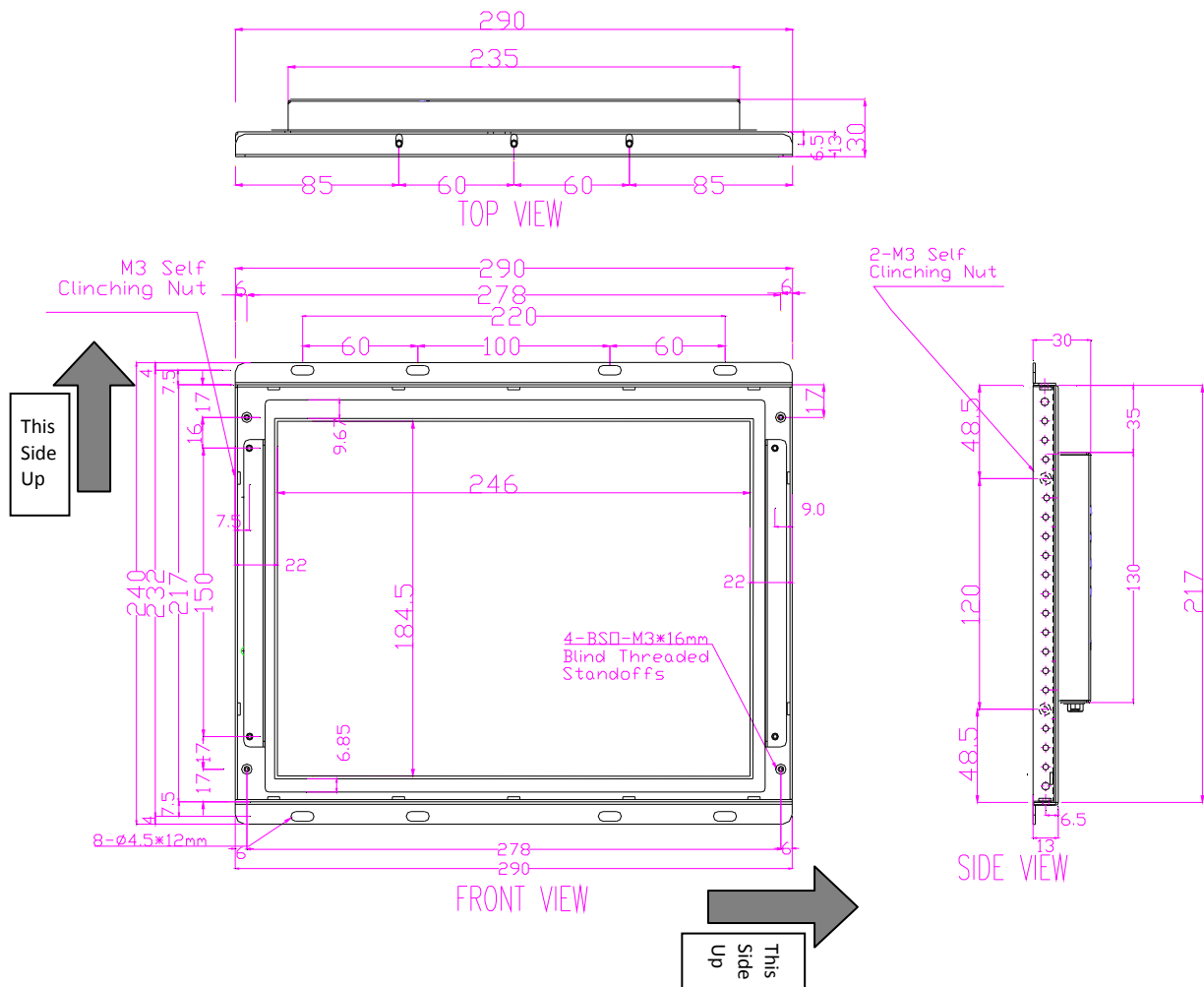
### Back VIEW



Note 3: The minimum mounting clearance required for the cable entry is indicated by the red boxes.

## 2.4 Mechanical Dimension (12.1" Aux. Screen)

E-Motive Part Number: OF-121-913



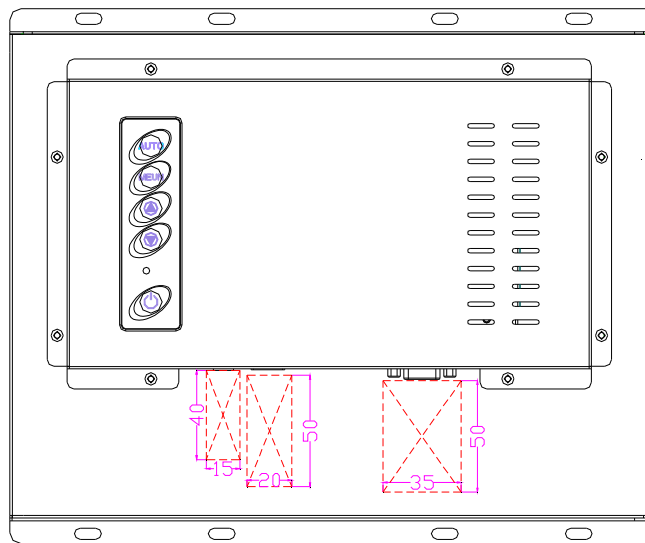
Note 1: Mounting Hole of open Frame is identical to Main Display

Note 2: Lens is optional item. Dimension will be provided separately. Window cut-out should reference to Lens cut-out (if any)

Note 3:  in Landscape mode,  in Portrait mode

Please refer to next page for minimum cable allowance.

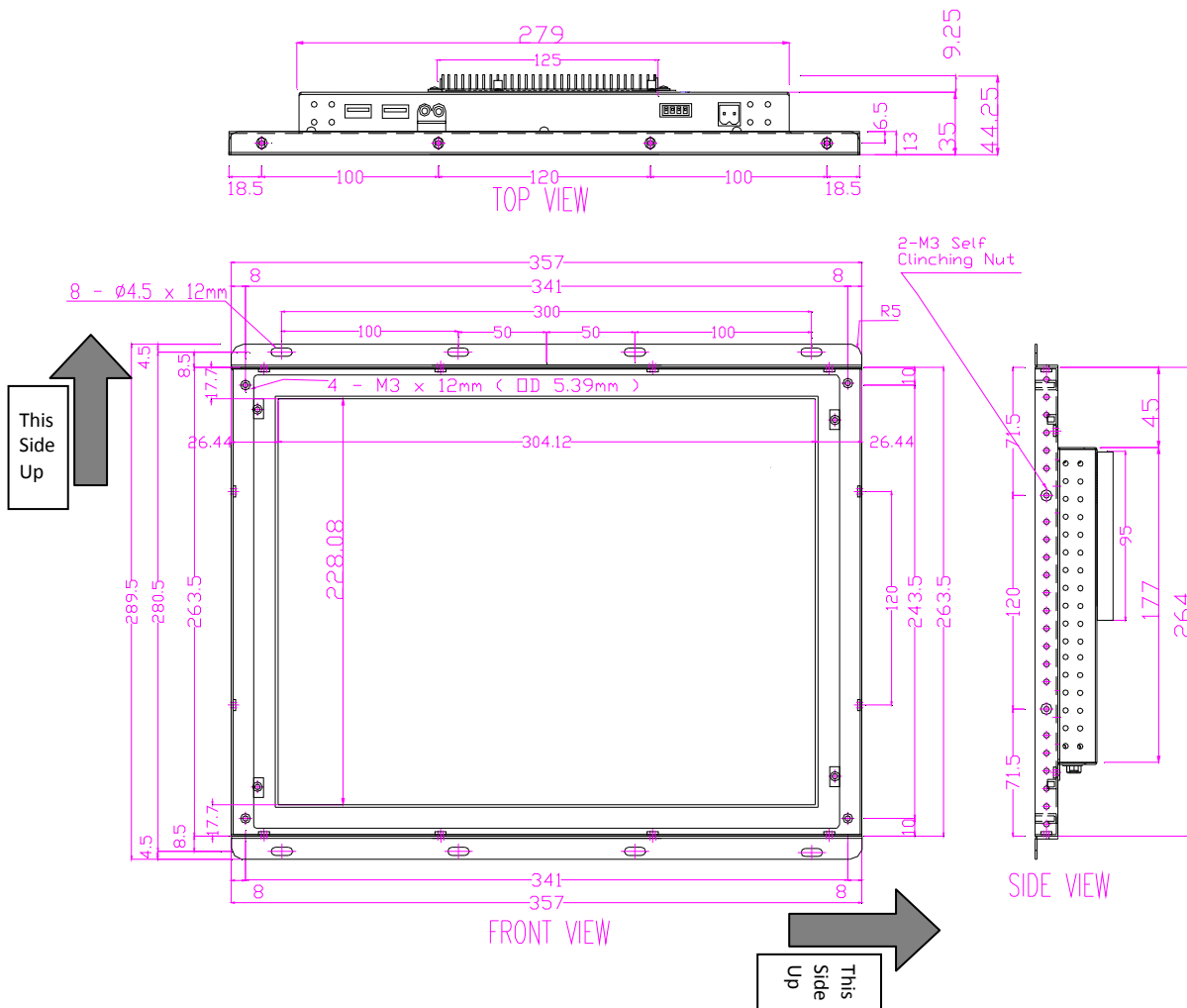
Back VIEW



Note 4: The minimum mounting clearance required for the cable entry is indicated by the red boxes.

## 2.5 Mechanical Dimension (15" Main Screen)

E-Motive Part Number: iS2-150-913

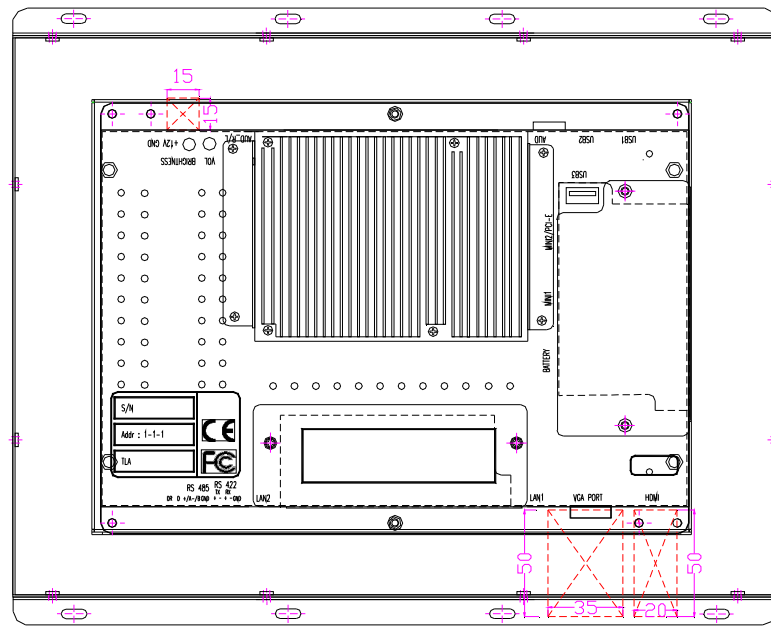


**Note 1:** Lens is optional item. Dimension will be provided separately. Window cut-out should reference to Lens cut-out (if any)

**Note 2:**  in Landscape mode,  in Portrait mode

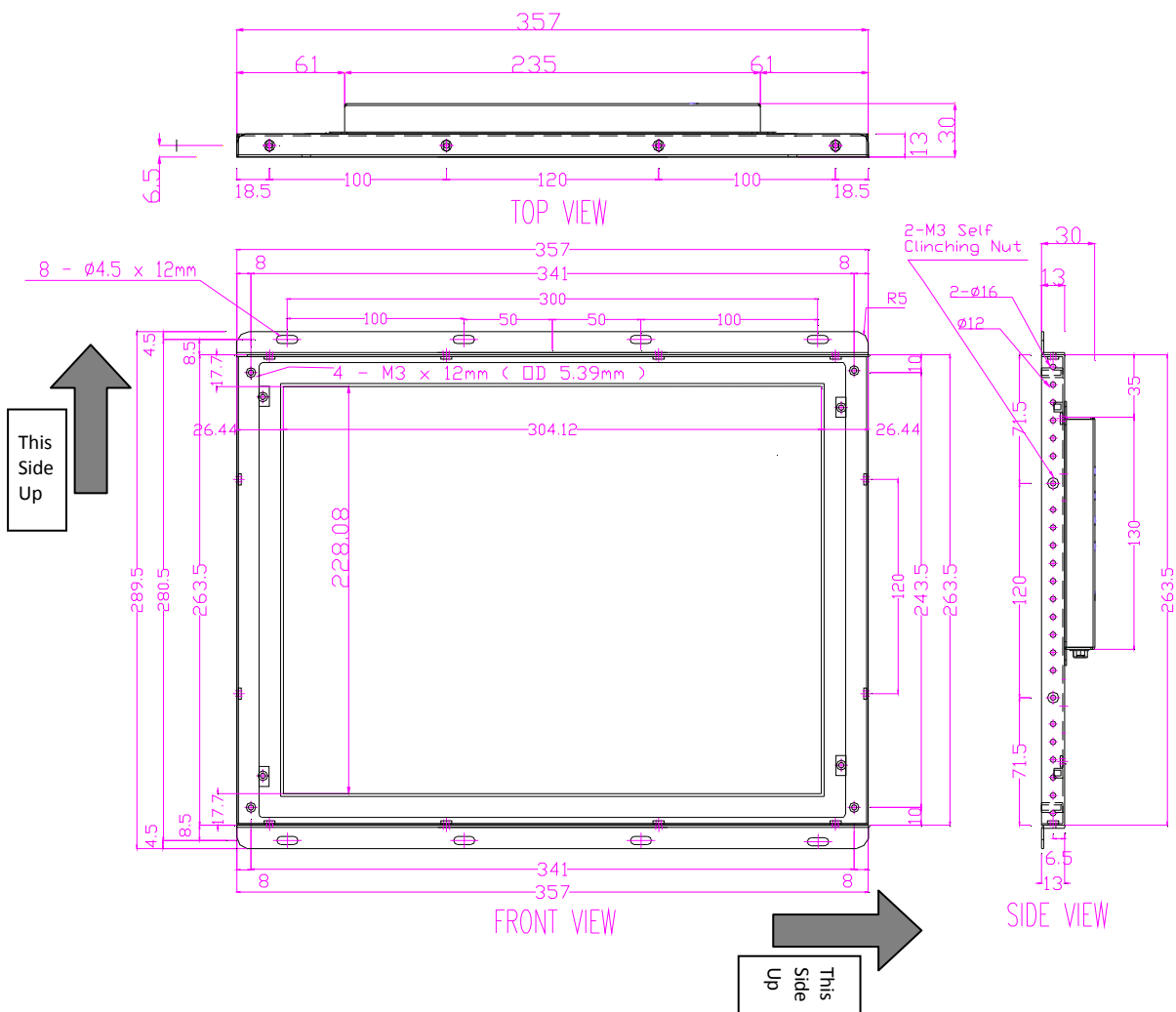
Please refer to next page for minimum cable allowance.

### Back VIEW



**Note 3:** The minimum mounting clearance required for the cable entry is indicated by the red boxes.

## 2.6 Mechanical Dimension (15" Aux. Screen) E-Motive Part Number: OF-150-913



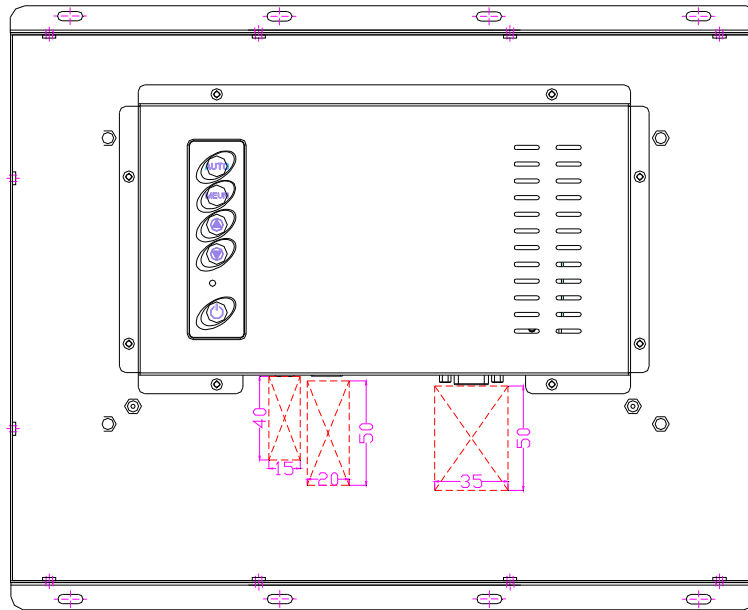
**Note 1:** Mounting Hole of open Frame is identical to Main Display

**Note 2:** Lens is optional item. Dimension will be provided separately. Window cut-out should reference to Lens cut-out (if any)

**Note 3:**  in Landscape mode,  in Portrait mode

Please refer to next page for minimum cable allowance.

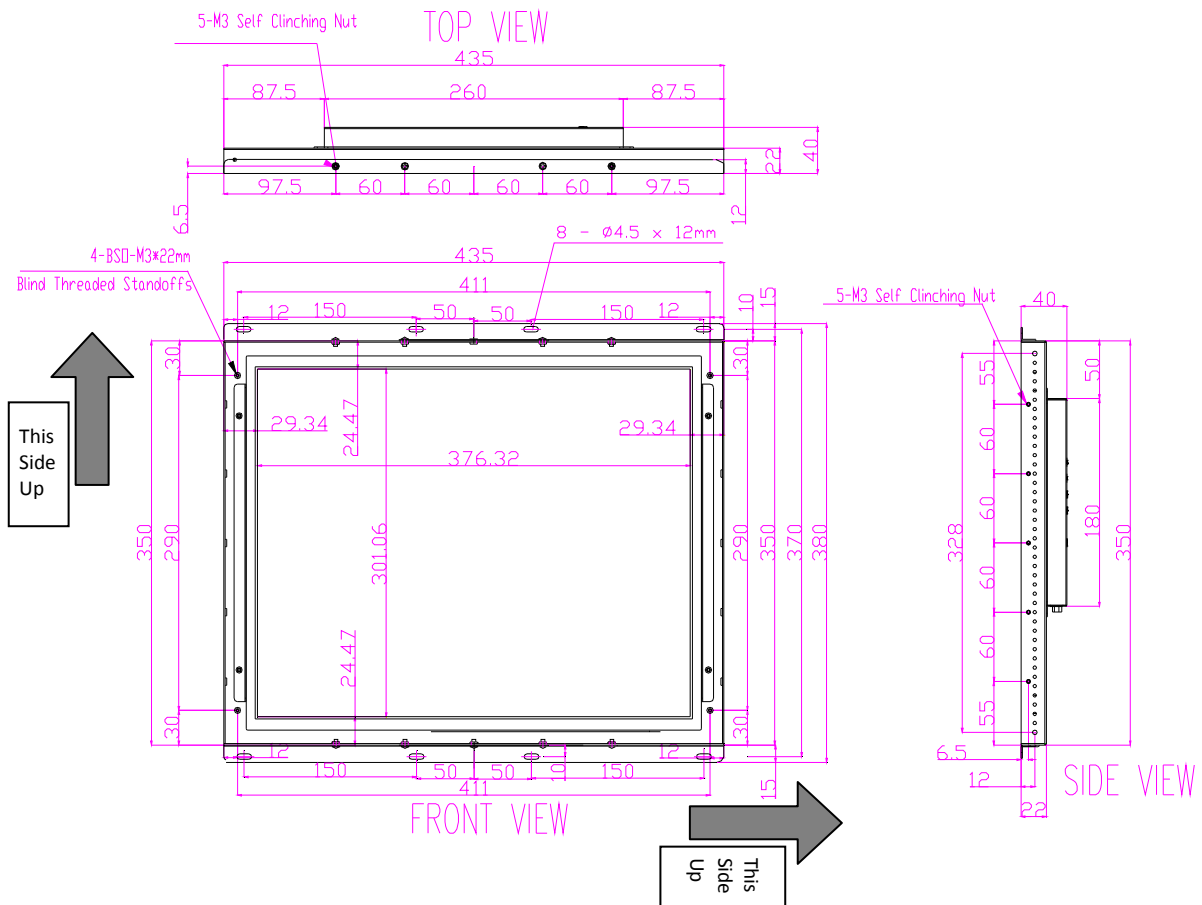
## Back VIEW



Note 4: The minimum mounting clearance required for the cable entry is indicated by the red boxes.


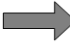
## 2.7 Mechanical Dimension (19")

E-Motive Part Number: OF-190-913



Note 1: OF-190 will operate as a display with a separate CPU unit iS2-000 attached.

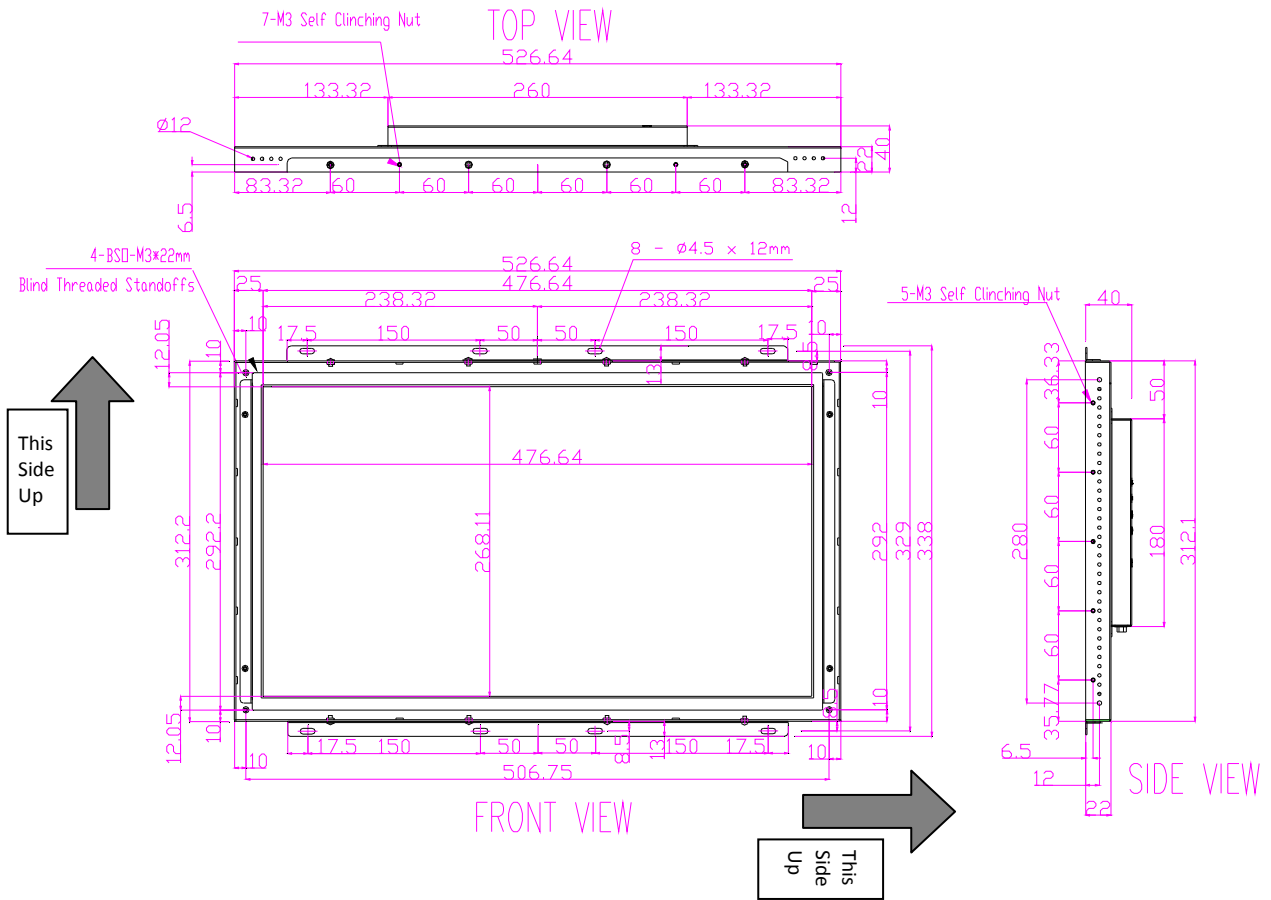
Note 2: Lens is optional item. Dimension will be provided separately. Window cut-out should reference to Lens cut-out (if any)

Note 3:  in Landscape mode,  in Portrait mode



## 2.8 Mechanical Dimension (21.5")

E-Motive Part Number: OF-215-913



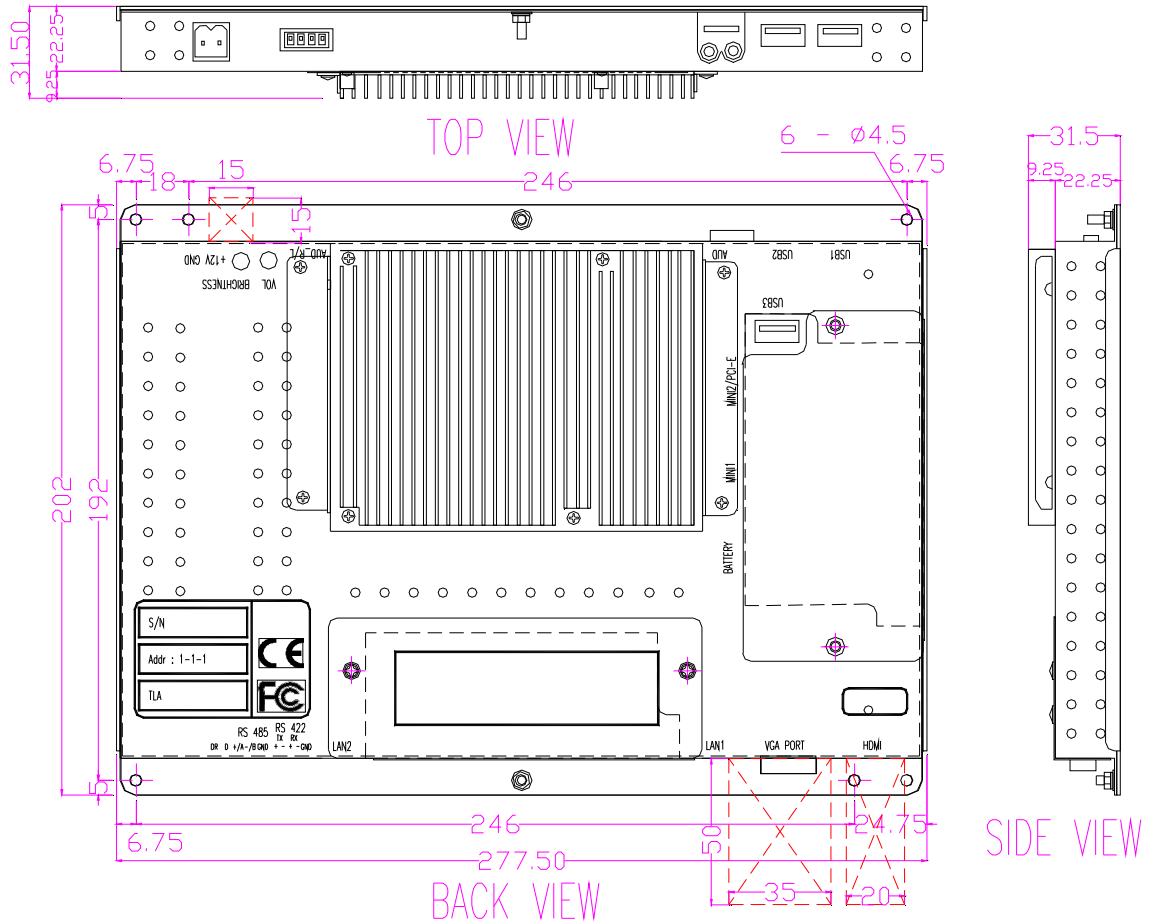
Note 1: OF-215 will operate as a display with a separate CPU unit iS2-000 attached.

Note 2: Lens is optional item. Dimension will be provided separately. Window cut-out should reference to Lens cut-out (if any)

Note 3:  in Landscape mode,  in Portrait mode

## 2.9 Mechanical Dimension (iS2 CPU Unit)

E-Motive Part Number: iS2-000-913

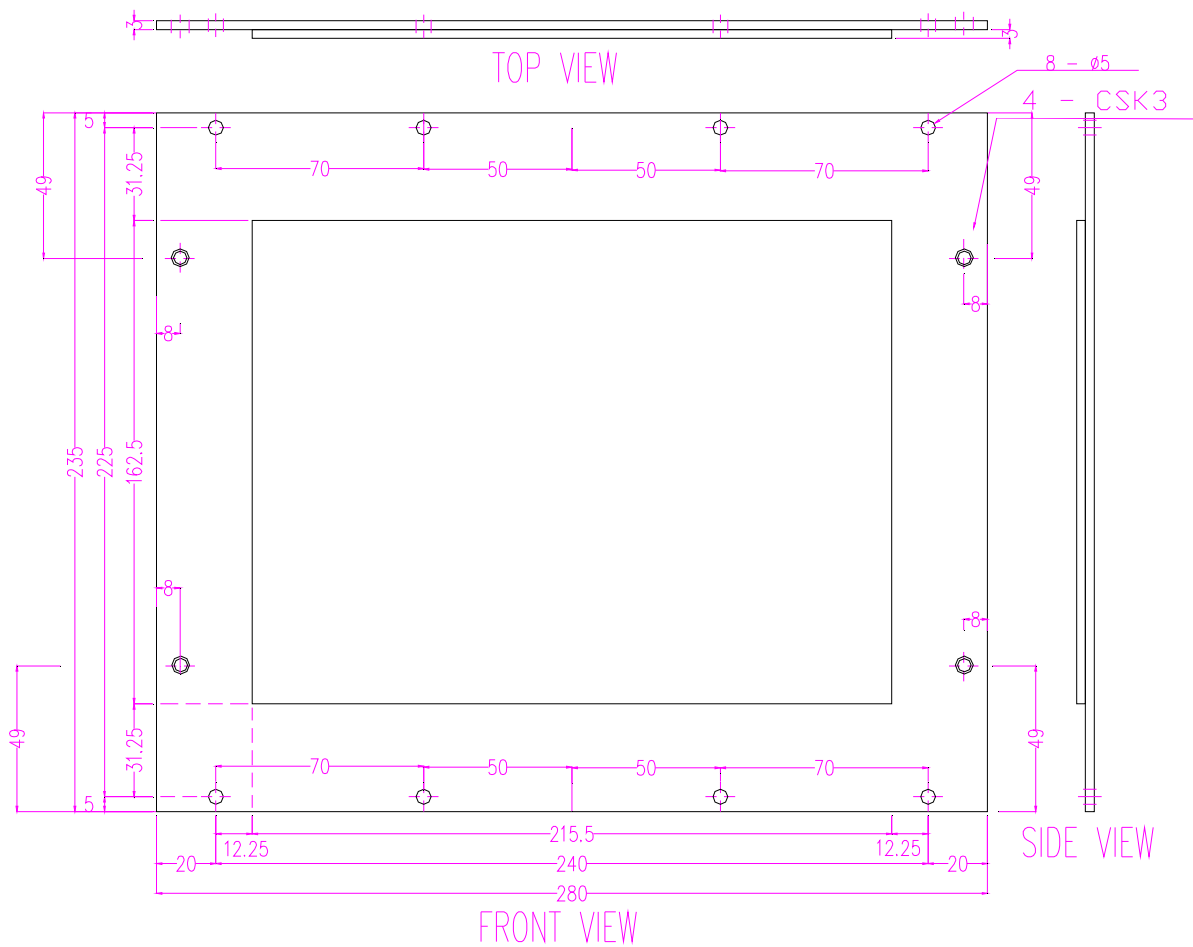


**Note 1:** This CPU unit iS2-000 can be used to output to E-Motive's Open frame solution (from size 10.4" to 19") through a 5m VGA cable. This solution is usually used for those screens that are above 15".

**Note 2:** Can be mounted at separate location depending on site situation.

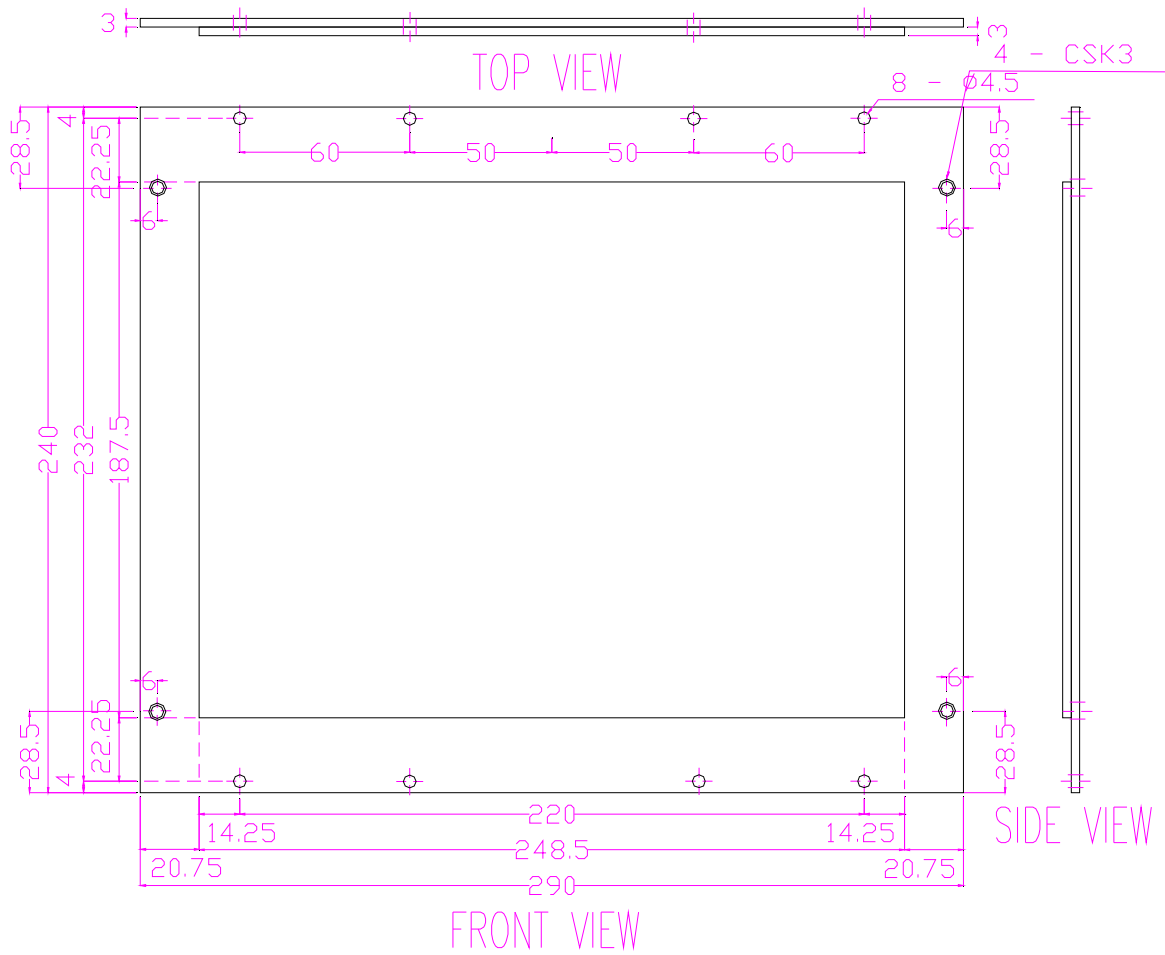
**Note 3:** The minimum mounting clearance required for the cable entry is indicated by the red boxes.

2.10 Mechanical Dimension (Lens - 10.4" Main/Aux Screen)  
 E-Motive Part Number: 134-P-A-951



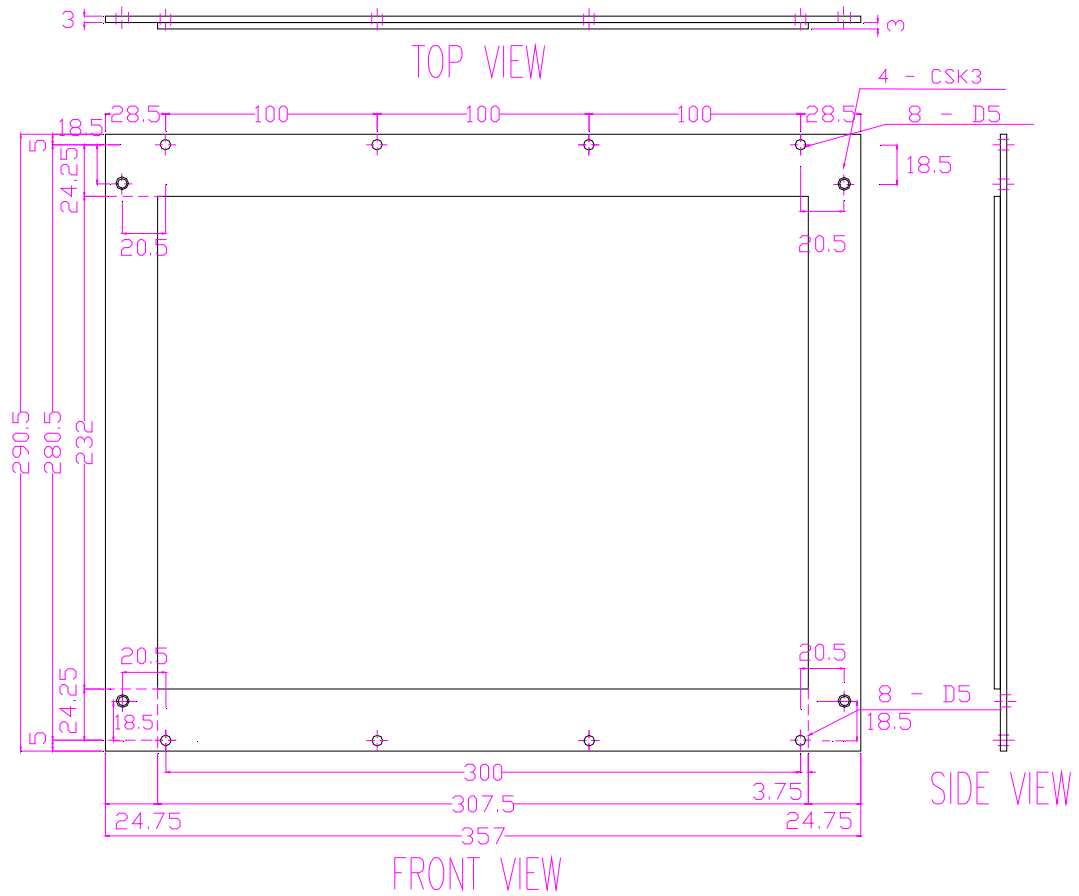
**Note 1: Window cut-out is reference to Lens cut-out +0.5mm (tolerance)**

2.11 Mechanical Dimension (Lens – 12.1” Main/Aux Screen)  
 E-Motive Part Number: 134-P-A-954



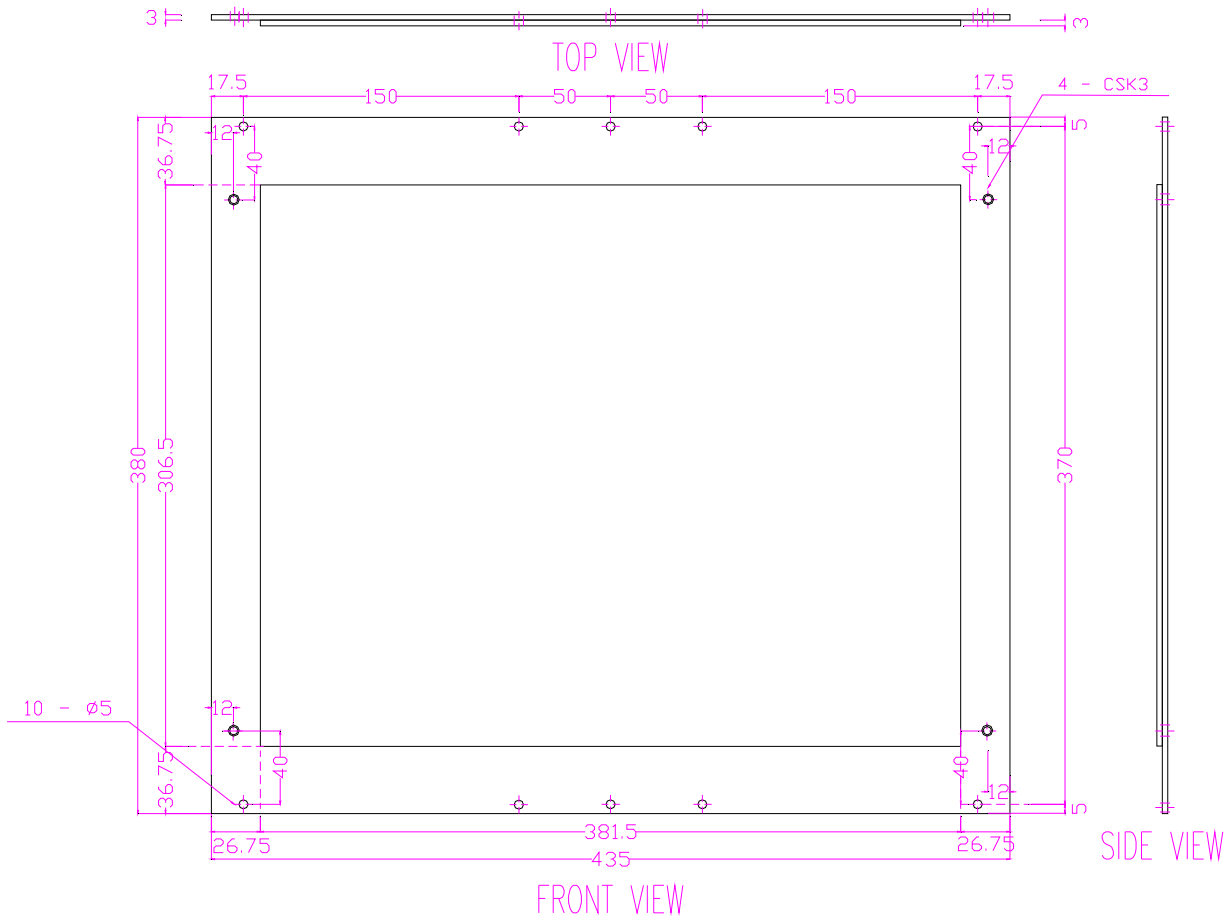
Note 1: Window cut-out is reference to Lens cut-out +0.5mm (tolerance)

2.12 Mechanical Dimension (Lens – 15” Main/Aux Screen)  
 E-Motive Part Number: 134-P-A-B16



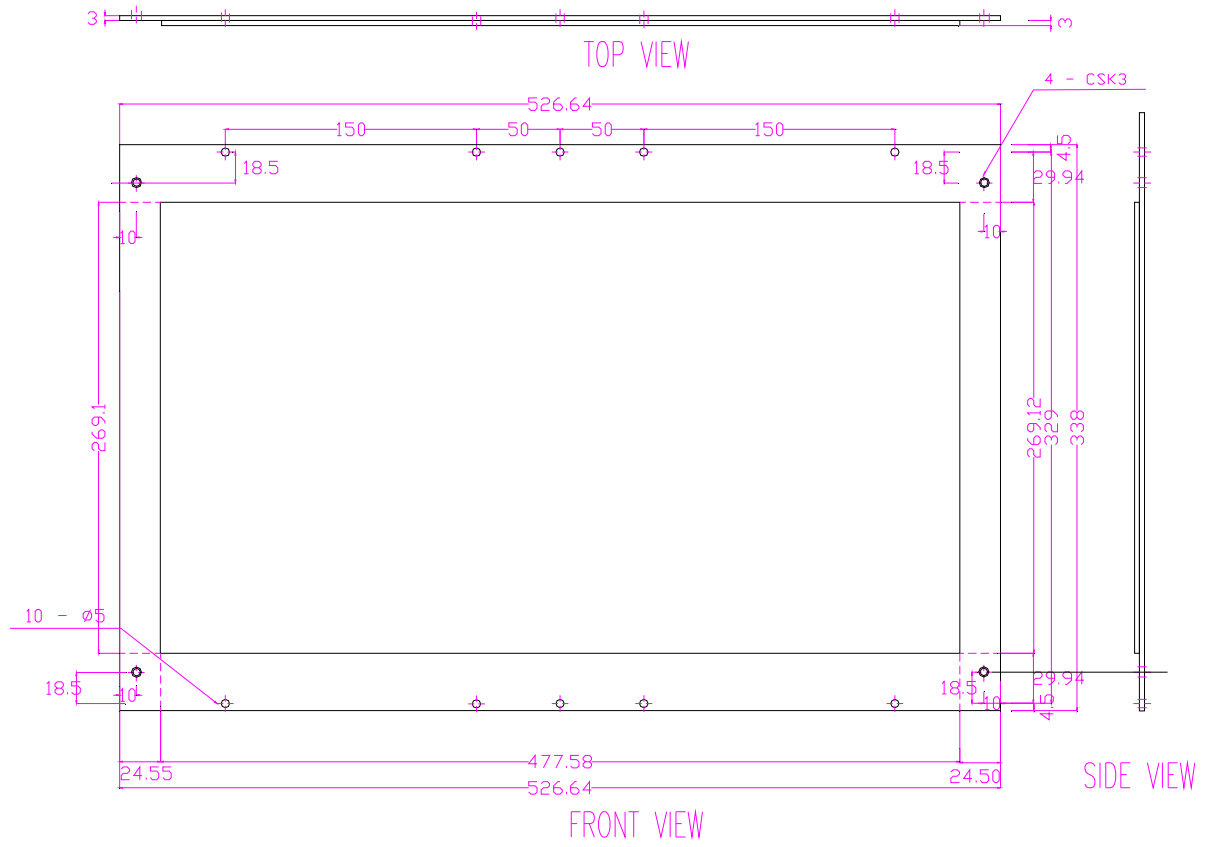
Note 1: Window cut-out is reference to Lens cut-out +0.5mm (tolerance)

2.13 Mechanical Dimension (Lens – 19” Aux. Screen)  
 E-Motive Part Number: 134-P-A-B23



**Note 1: Window cut-out is reference to Lens cut-out +0.5mm (tolerance)**

2.14 Mechanical Dimension (Lens – 21.5” Aux. Screen)  
 E-Motive Part Number: 134-P-A-B19



Note 1: Window cut-out is reference to Lens cut-out +0.5mm (tolerance)

## 3.0 Electrical Description and Specifications

### 3.1 General Specification

	10.4"	12.1"	15"	19" <sup>2</sup>	21.5" <sup>2</sup>
LCD Type	TFT	TFT	TFT	TFT	TFT
Colour Depth	True Colour	True Colour	True Colour	True Colour	True Colour
View Area (L x H)(mm) <sup>1</sup>	211 x 158	246 x 185	304 x 228	376 x 301	477 x 268
Resolution(X x Y) <sup>1</sup>	1024 x 768	800 x 600	1024 x 768	1280 x 1024	1920 x 1080
Aspect Ratio	4:3	4:3	4:3	5:4	16:9
Dot Pitch(mm) <sup>1</sup>	0.0685 x 0.2055	0.3075x 0.3075	0.30 x 0.30	0.294 x 0.294	TBA
Viewing Angle (x-axis)(°) <sup>1</sup>	+88/-88	+89/-89	+85/-85	+89/-89	+89/-89
Viewing Angle (y-axis)(°) <sup>1</sup>	+88/-88	+89/-89	+85/-85	+89/-89	+89/-89
Contrast Ratio <sup>1</sup>	1000:1	700:1	1000:1	2000:1	5000:1
Luminance <sup>1</sup> (cd/m <sup>2</sup> )	500	500	350	300	300
Temperature Range(°C) <sup>1</sup>	0 ~ 50	0 ~ 50	0 ~ 50	0 ~ 50	0 ~ 50
Humidity Range (%RH)	10 ~ 90	10 ~ 90	10 ~ 90	10 ~ 90	10 ~ 90
Backlight MTBF(Hrs) <sup>1</sup>	50,000	50,000	50,000	50,000	50,000
Overall Dimension(X x Y x H) (mm) <sup>1</sup>	280 x 235 x 48	290 x 240 x 48	357 x 290 x 45	435 x 380 x 40	527 x 338 x 40

<sup>1</sup>Specifications subjected to changes

<sup>2</sup>Specifications of the Auxiliary screen

### 3.2 Electrical Spec

	10.4"	12.1"	15"	19"	21.5"
Operating Voltage(V)	12	12	12	12	12
Typical Power Consumption <sup>7</sup> (W)	20 (Main Screen), 16 (Aux. Screen <sup>4</sup> )	22 (Main Screen), 16 (Aux. Screen <sup>4</sup> )	28 (Main Screen), 15 (Aux. Screen <sup>4</sup> )	38	38
Current consumption(A)	1.6 (Main Screen), 1.33 (Aux. Screen <sup>4</sup> )	1.8 (Main Screen), 1.33 (Aux. Screen <sup>4</sup> )	2.3 (Main Screen), 1.25 (Aux. Screen <sup>4</sup> )	3.1	3.1
Lift Interface <sup>3</sup>	E-Motive 4 wire Serial, RS485 Serial	E-Motive 4 wire Serial, RS485 Serial	E-Motive 4 wire Serial, RS485 Serial	E-Motive 4 wire Serial, RS485 Serial	E-Motive 4 wire Serial, RS485 Serial
PC Interface	RS422, LAN, Wireless <sup>5</sup>	RS422, LAN, Wireless <sup>5</sup>	RS422, LAN, Wireless <sup>5</sup>	RS422, LAN, Wireless <sup>5</sup>	RS422, LAN, Wireless <sup>5</sup>
RF Input <sup>6</sup>	NA	NA	NA	NA	NA

<sup>3</sup>The Communication through Lift interface of different Lift controller is done through E-Motive's Encoder board that is sold separately.

<sup>4</sup> Open Frame uses a separated AC/DC switching power supply. Additional AC point is required.

<sup>5</sup> Wireless Communication is via USB WIFI adaptor.

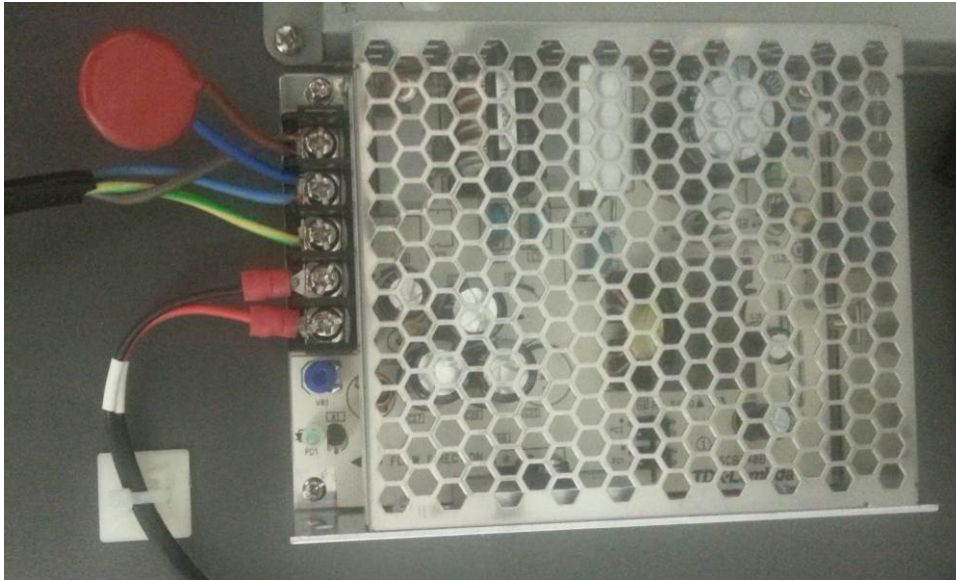
<sup>6</sup> Available through TvCard integrated to video server and video stream to Display.

<sup>7</sup> Typical Power consumption which varies according to content. Further reduction is through Power saving mode.



## 4.0 Power Supply

The standard iS2 come with a 12Vdc input and is powered via an AC/DC switching power supply that is shipped together with this product. An AC power point 115/230 VAC is required for this product. This is to ensure stability of the power supply to the LCD screen and prolong the life span of the unit.



<sup>1</sup> Varistor is connected to protect power supply from power line surge

<sup>2</sup> DC Cable is directly connected to power supply. Polarity of the connection needs to be correct.

## 5.0 Communication

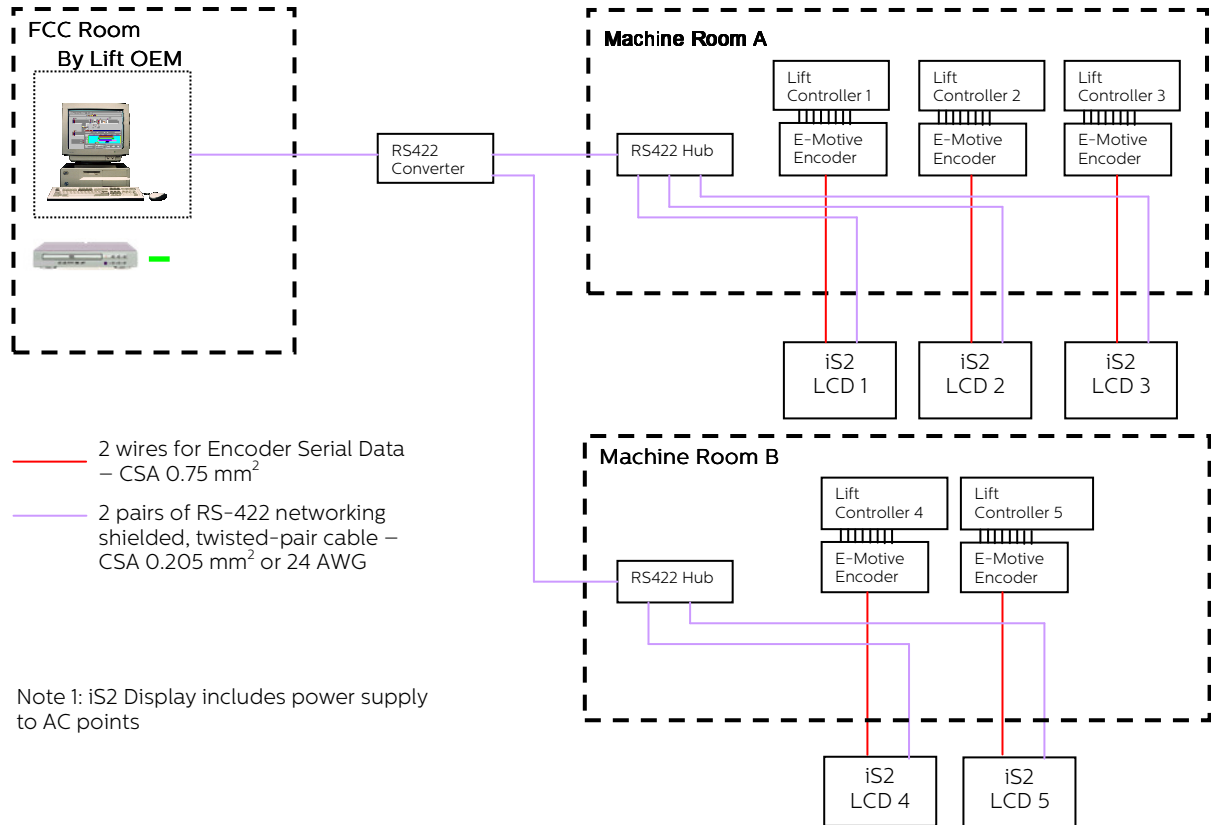
The iS2 LCD has different communication capabilities catering to different requirements and it has the following capabilities

- Communication to lift controller
  - via our encoder which uses RS485 serial communication or E-Motive 4-wire
- Communication to Configuration PC
  - RS 422 multi drop – capable to have up to 32 devices
  - Ethernet communication 10/100 base-T communication
  - USB Flash Drive
  - Wireless Communication Via USB WiFi Adaptor

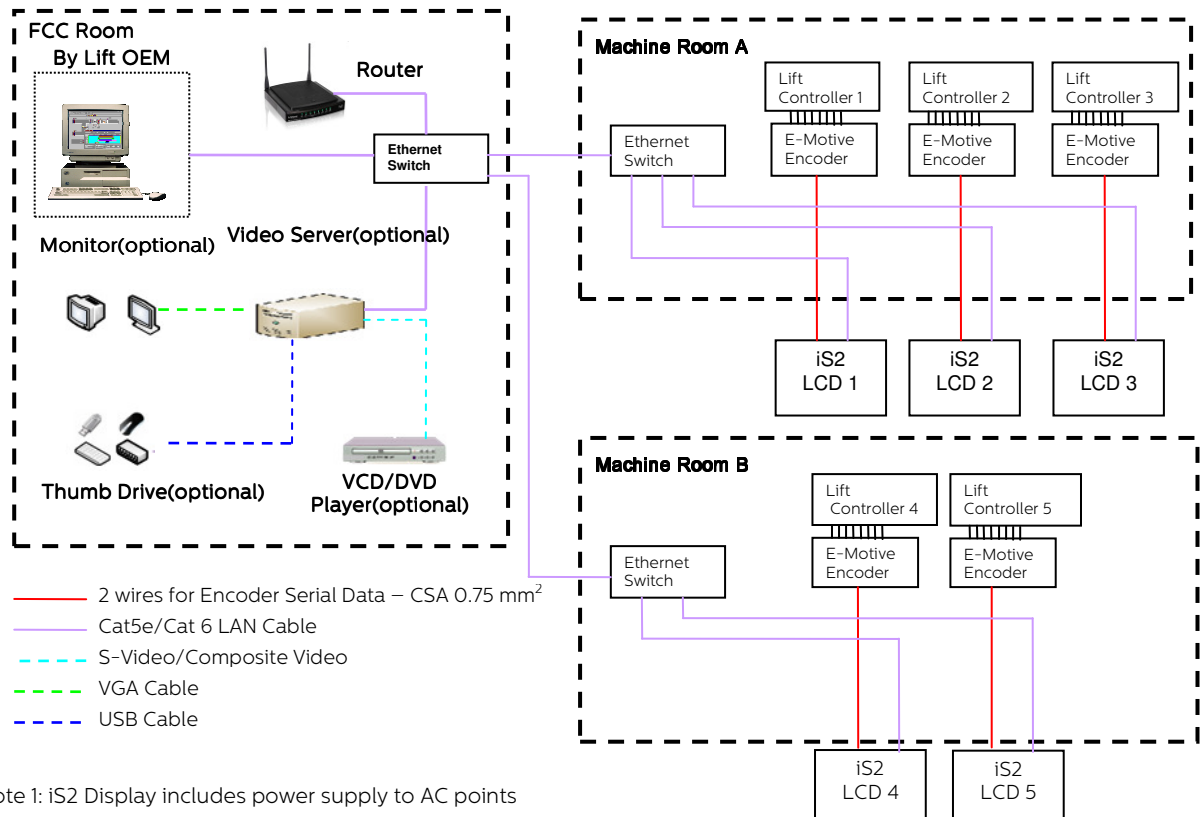
## 6.0 Typical System Configuration

### 6.1 Lift Information Network (Serial Communication via E-Motive encoder)

#### 6.1.1 Remote PC Configuration Network (via RS422 serial)



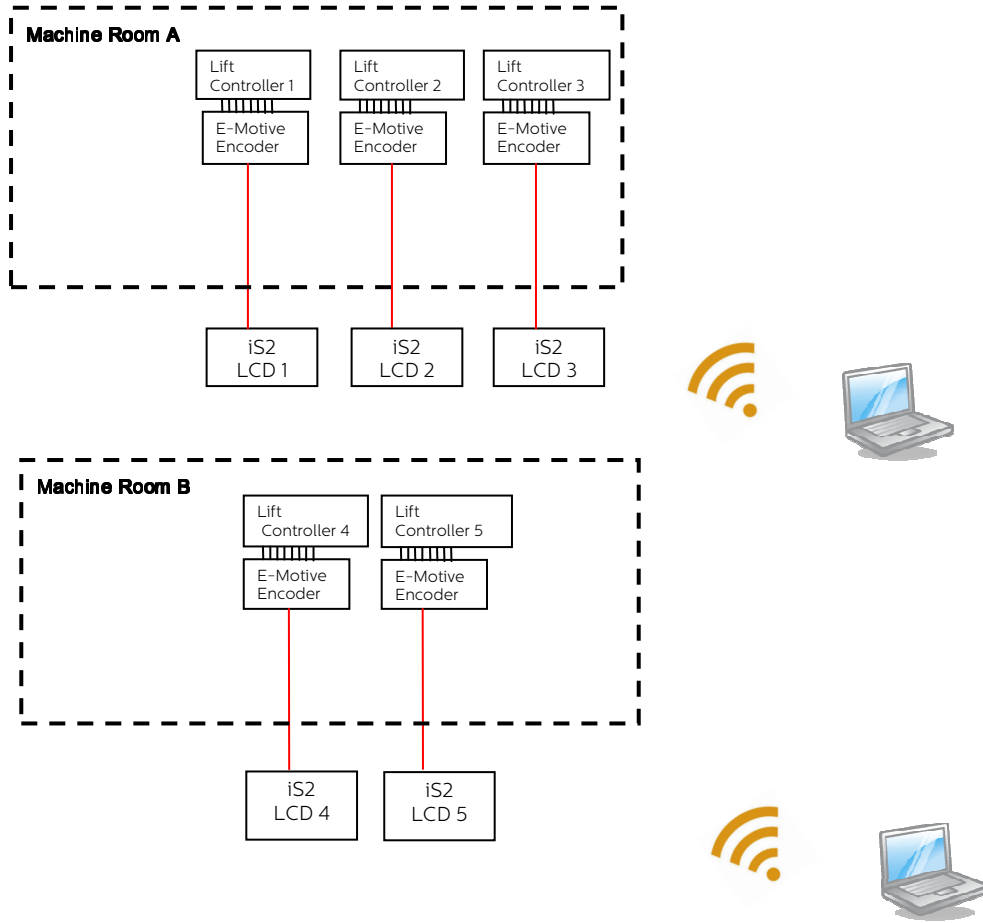
## 6.1.2 Remote PC Configuration Network (via Ethernet)



Note 1: iS2 Display includes power supply to AC points

Note 2: The maximum length of LAN cable (point-to-point inclusive of patch cable) is about 90m~100m. If length info is unclear, it is recommended to have a repeater or switch installed. E-Motive support Media-link solution to extend network that is beyond this.

### 6.1.3 Remote PC Configuration Network (via WiFi)



— 2 wires for Encoder Serial Data – CSA 0.75 mm<sup>2</sup>

Note 1: iS2 Display includes power supply to AC points

Note 2: Optimum operating distance is 1 to 2m for 1-to-1 communication.

## 7.0 Version History

Rev	Changes	By	Date
0.9	Preliminary Release iS2 Technical Spec	LKH	30 <sup>th</sup> Sept 2014
0.91	Added 12.1" and 15" Open Frame Added 19" and 21.5" Lens Drawing	LKH	13 <sup>th</sup> Oct 2014
1.0	Updated Drawing for 10.4"/12.1"/15" Updated Added Annunciation features Updated Typical power consumption of Open Frame	LKH	22 <sup>nd</sup> Dec 2014

Data provided is current as of publication date and may be subjected to change without notice