

INSTALLATION INSTRUCTIONS

MODS
ISSUE

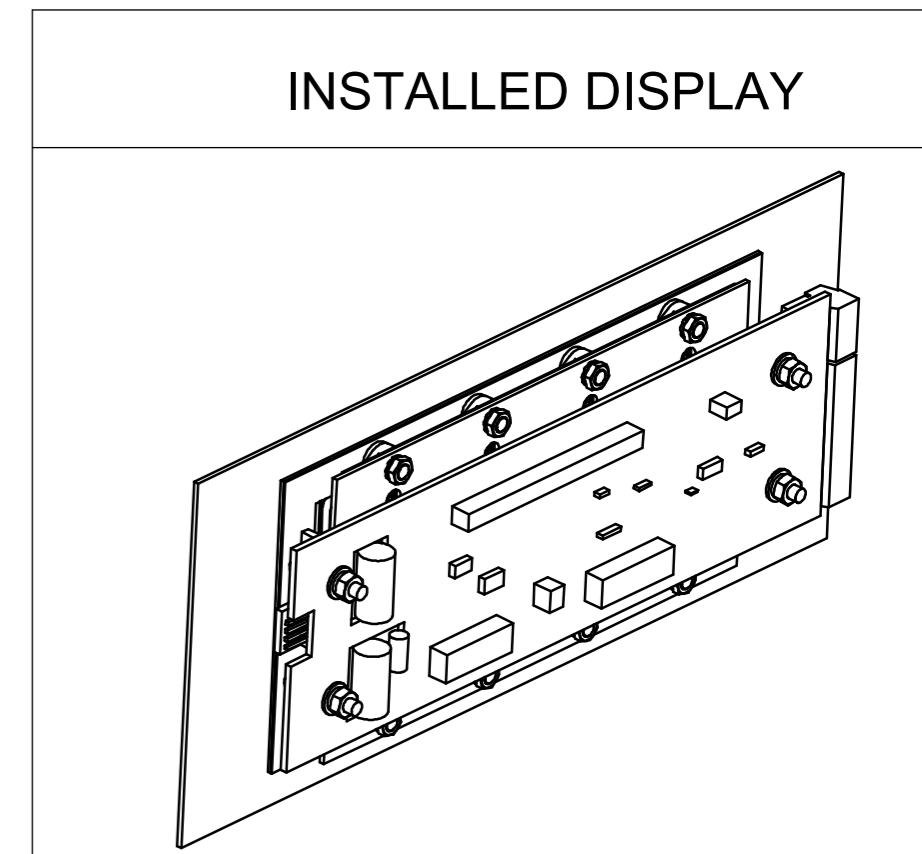
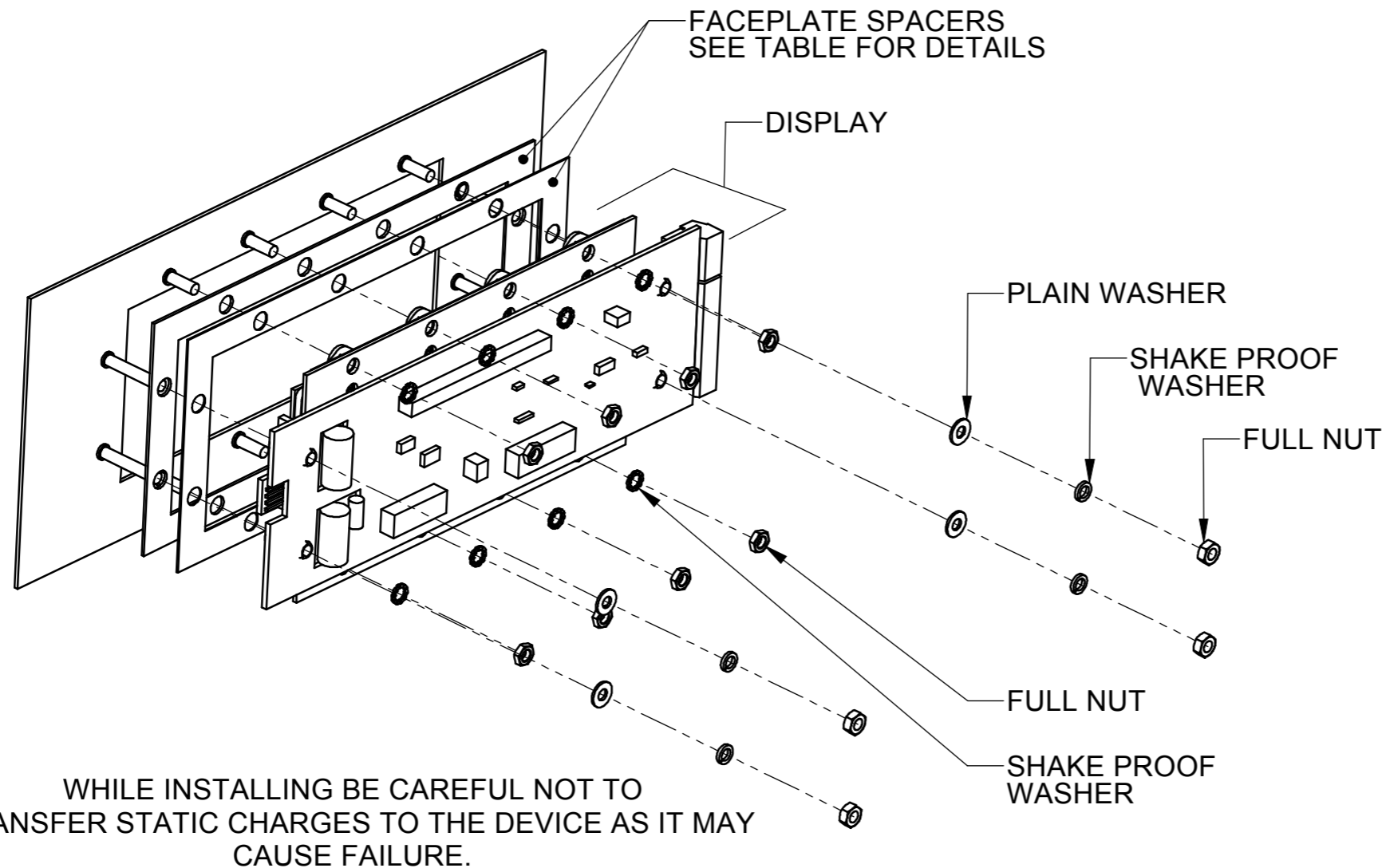
A
FIRST
ISSUE
RKK
11/12/2008
ECN5899

B
VARIOUS
CHANGES
RKK
16/03/09
ECN5973

ASSEMBLY INSTRUCTIONS:

1. CUT AND REMOVE CABLE TIES FROM THE BAGGED DISPLAY.
2. REMOVE THE FACEPLATE SPACERS FROM THE ASSEMBLY AND PLACE OVER THE WELDSTUDS ON THE FACEPLATE REFER TO TABLE FOR SPACER CONFIGURATION.
3. ENSURE THAT THE NYLON SPACERS ARE IN POSITION.
4. FIT THE DISPLAY ON TO THE FACEPLATE.
5. ENSURE THAT THE LED BLOCKS ARE FLUSH WITH THE FACEPLATE AND EVENLY SPACED WITHIN THE CUTOUT.
6. FIX USING THE FIXINGS PROVIDED, FIX THE LED BLOCK NUTS AND WASHERS BEFORE FIXING THE DISPLAY ONES.

FACEPLATE SPACER ALLOCATION		
FACEPLATE THICKNESS	0.5mm THICK CLEAR SPACER	1.0mm THICK WHITE SPACER
3.0mm	x	x
2.5mm	✓	x
2.0mm	x	✓
1.5mm	✓	✓



THE DESIGN AND MANUFACTURING INFORMATION HEREON IS THE EXCLUSIVE RIGHT OF:



INVERNESS ROAD, HOUNSLOW, TW3 3LT

TITLE
VRS54 SINGLE DRIVER BOARD DISPLAY INSTALLATION INSTRUCTIONS

MAT'L -----

FINISH -----

SCALE

1:1
1:2

DRN RK. KRAWCZYK

CHKD
SEE TOP LEFT OF SHEET 1
FOR APPROVED SIGNATURE

DATE 11/12/2008

GENERAL M/C TOLERANCES
ANG DIMS: ± 1/2° METRIC: 5 ± 0.5mm
IMP. FRACTIONAL DIMS: ± 1/64" 5.0 ± 0.3mm
IMP. DECIMAL DIMS: ± 0.005 5.00 ± 0.1mm

DRG SIZE
A3

DRG No

NP750