

UniTy modular fixture system

The UniTy modular fixture system is a highly versatile surface mount fixture which can be mounted both vertically and horizontally. It can be used in a range of applications including Landing Operating Panels, Landing Indicator Panels & Car Operating panels.

The UniTy fixture offers a high level of customisation through the wide range of sizes and finishes available. The quick release magnet latches and hinge system allow for fast and simple maintenance access.

Frame options

UniTy frames are available in the standard painted colours with alternatives available on request:

- Jet Black - RAL 9005
- Pearl Light Grey - RAL 9022
- Signal White - RAL 9003

Size options

The UniTy modular fixture system can accommodate a large range of sizes, dependent on the requirements of the end user.

Standard pre-defined sizes are offered for quick & easy implementation, but custom sizes are available.



Cladding panel

The UniTy cladding panel is mounted to a Zintec faceplate, which is used for mounting the hinges and buttons.

The panel is available with the same painted options as the frame, as well as a choice between brushed or mirrored stainless steel or brushed or mirrored brass. Custom free issue materials will be at our acceptance.

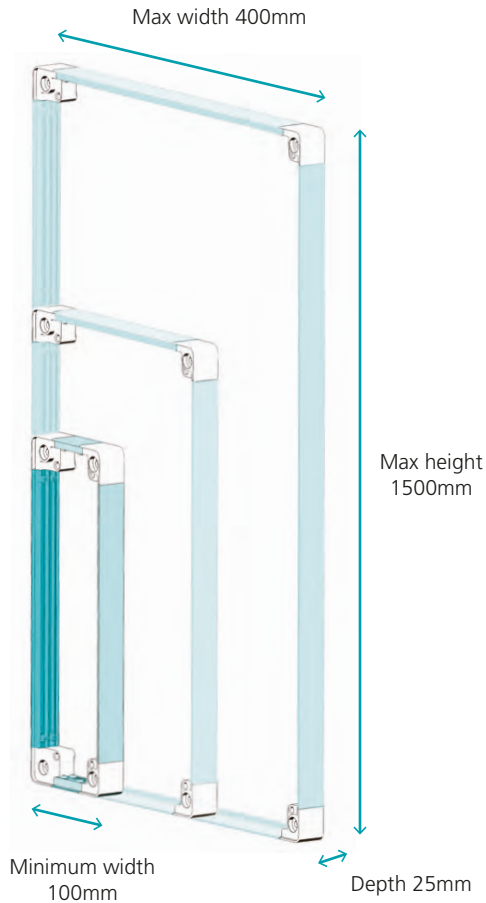


Key features

- High level of customisation - wide range of sizes and finishes available.
- Quick release magnet for fast and simple maintenance access.
- Large range of frame colour options to choose from.
- Can be mounted both vertically and horizontally.

Dimensions

UniTy fixtures can be offered at any dimension within the range shown in the drawing below. Standard pre-defined sizes are also offered for quick & easy implementation.

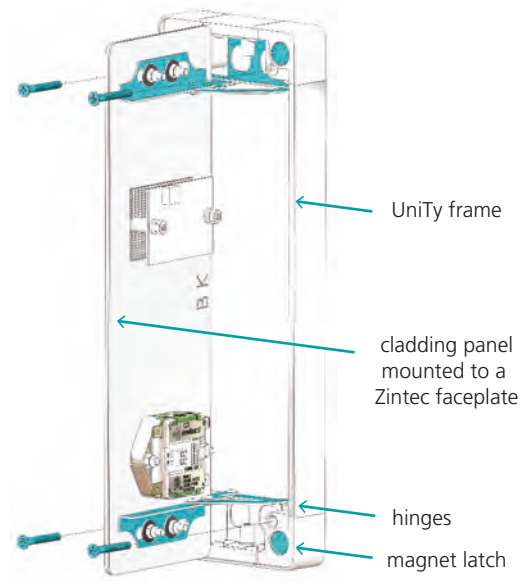


Finish options



Technical details

- UniTy fixtures are typically mounted off 5.4mm fixing holes located in the four corners of the fixtures. Additional mounting points may be required for larger fixtures.
- The front plate is hinged and can open to 90 degrees for ease of access during installation and maintenance.
- UniTy utilises magnets with a pull force of 3kg to latch the fixture closed, providing quick and secure access. Alternative mechanical latching methods are available.



We operate a policy of continuous product development and reserve the right to change or improve specification without prior notice. E & OE. All information within this document is for guidance only and does not form the basis for contract. The product images shown are for illustration purposes only and may not be an exact representation of the latest version of the product. ©2022 Dewhurst. All Rights Reserved.
Unit 9, Hampton Business Park, Feltham, TW13 6DB

Please consider the environment before you print this data sheet.



Version 06/04/2022