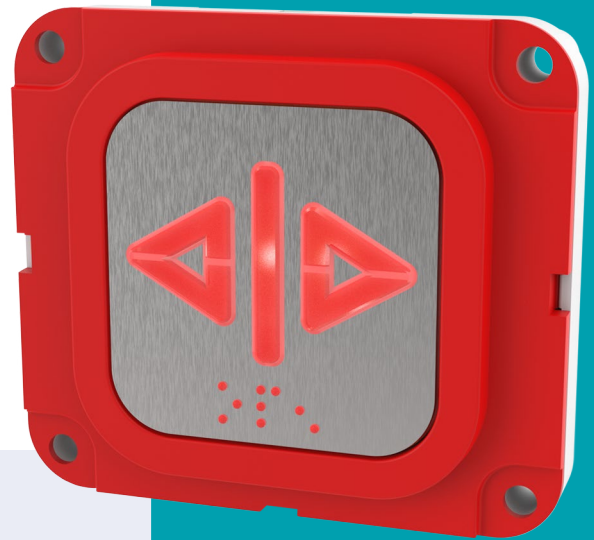


US85 Jumbo Pushbutton

The US85 Jumbo braille pushbutton is extra-large and features a wide illuminated surround. It is primarily designed for use in larger buildings such as hospitals, airports and shopping centres. The pushbutton is made up of four elements: switch body, illumination, pressel, and surround. This data sheet includes detailed information on each element and the options available for the US85 Jumbo.

The character or symbol, known as the legend, provides clear identification. The legend and the surround, with its signature large halo, can be illuminated in a wide variety of colours.

Image shows US85 Jumbo pushbutton with Jumbo switch body, red plastic surround, and brushed stainless steel pressel. Legend and surround illuminated in red.



Switch body

The switch body is the functional part of the pushbutton. The US85 Jumbo is available with the Jumbo and Jumbo P switch bodies.

Pressel

The pressel is the faceplate of the pushbutton, and is available in a range of material finishes, including brushed stainless steel, mirror stainless steel, brushed brass and mirror brass. Standard US85-EN Jumbo pressels are moulded with opal polycarbonate.

There is an extensive range of pressel legends to choose from. All legends are 30mm high and tactile, with standard English braille dots below.

Illumination

Single and dual LED illumination options are available for the US85 Jumbo. These illuminate both the legend and the large halo surround. They are easily replaceable and available in blue, white, red, amber and green.

Surround

The surround is the element of the pushbutton which sits in front of the pressel and clicks into the switch body. The US85 Jumbo pushbutton features a wide halo plastic surround which is available in a variety of colours.

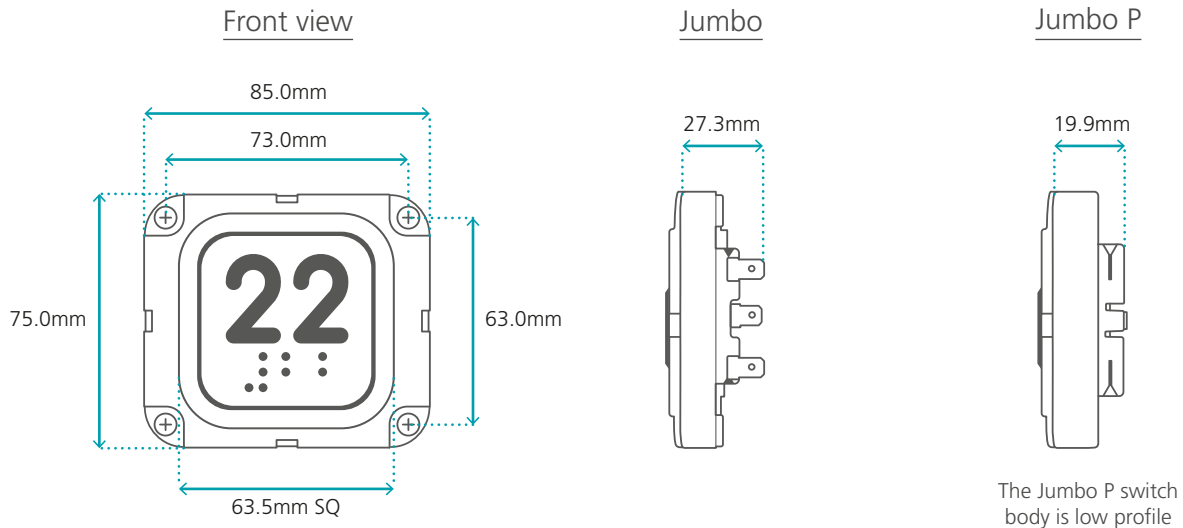
Key features

- Extra-large pressel ideal for larger buildings.
- Illuminated legend and surround with large halo.
- Extensive range of pressel legends to choose from with bespoke designs available on request.
- Legends are 30mm high and tactile with braille.
- Vandal resistant - meets EN81-71.

Switch body | Jumbo & Jumbo P

The switch body is the functional part of the pushbutton. Both the Jumbo and Jumbo P switch bodies offer the full range of illumination options as well as all possible contact configurations. They also both accept shunt boards.

Dimensions

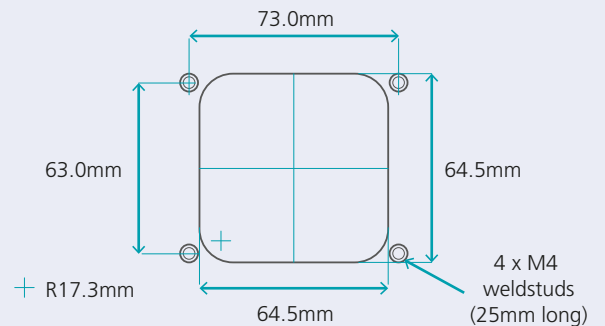


Technical details

Power (continuous)	2.5 watts (maximum)
Contact arrangements	2 Normally Open contacts
	2 Normally Closed contacts
	1 Normally Open contact and 1 Normally Closed contact
Wago cable size	Up to 0.75mm ² solid or flexible (only apply slight pressure when inserting/removing cable)

Environmental protection (IP rating)	EN60529 (IP54)
Vandal resistance	EN81-71
Code compliance	EN81-20, EN81-70

Cutouts & stud positions



Pushbuttons with Jumbo and Jumbo P switch bodies can be supplied loose or incorporated into stations. These have a vertical pitch of 80mm and horizontal pitch of 90mm, which means the pushbutton body can be rotated 90 degrees.

If the pushbutton is supplied loose, spacers will be provided to accommodate the differing faceplate thickness.

Dewhurst **Jumbo & Jumbo P** switch bodies are designed and tested to last



over **10 million operations.**





Illumination

The US85 Jumbo offers a choice of single and dual illumination, which are both available with Jumbo and Jumbo P switch bodies. These illuminate the legend (character or symbol) and the large halo surround. They are easily replaceable and available in blue, white, red, amber and green.

Single illumination

Before call acceptance	After call acceptance
 Both the legend and the halo are non-illuminated	 The legend and halo are both illuminated at full brightness of any colour

Dual illumination

Before call acceptance	After call acceptance
 Both the legend and the halo are illuminated at 10% of full brightness of any colour	 The legend and halo are both illuminated at full brightness of the same colour

Technical details

LED current	20mA (typically)
LED voltage ($\pm 15\%$)	12V DC, 24V DC, 110V AC

Pressel

The pressel (the faceplate of the Dewhurst pushbutton) is available in a range of standard material finishes. There is an extensive range of pressel legends to choose from. All legends are 30mm high and tactile, with standard English braille dots below. Bespoke characters are available on request.

US85 Jumbo pressels are moulded with polycarbonate in a variety of colours, including opal, red, amber, green and blue.

Material finishes

Brushed stainless steel



Mirror stainless steel



Brushed brass



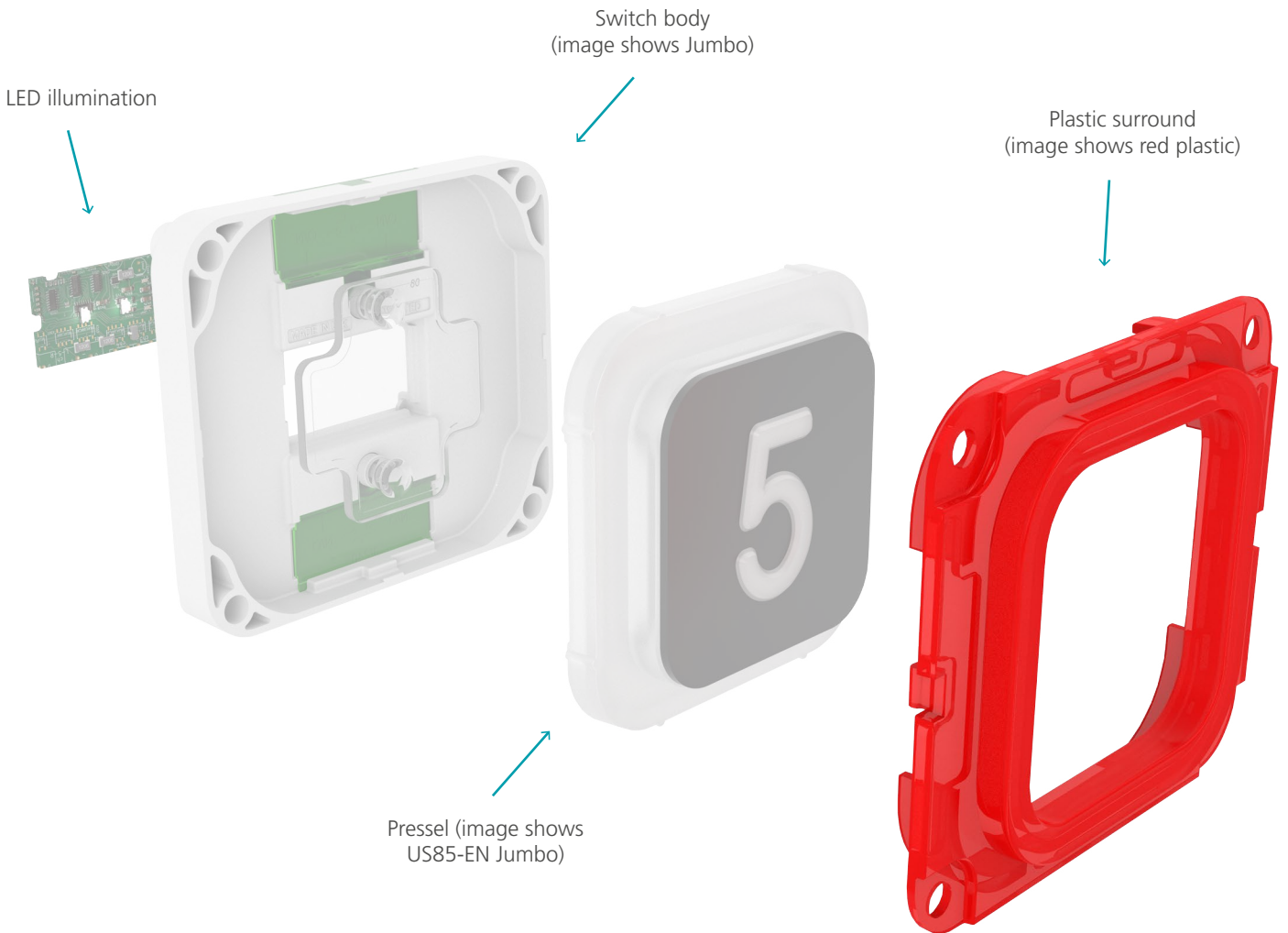
Mirror brass



Surround

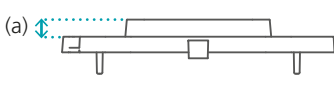
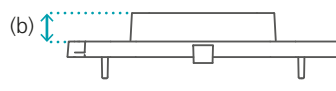
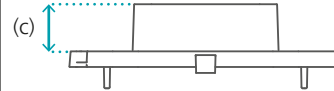
The surround is the element of the pushbutton which sits in front of the pressel and clicks into the switch body. US85 Jumbo surrounds are made out of plastic and available in a variety of depths and colours.

Material finish



Surround depths

All measurements are the protrusion through the faceplate.

Standard	B44	Exit
		
(a) 3mm	(b) 4.6mm	(c) 7.1mm

Cleaning your Dewhurst pushbutton

Many Dewhurst lift products are made of polycarbonate (Using GE's Lexan® or Bayer's Makrolon®). The US85 Jumbo is highly durable and vandal resistant, but plastic parts can be damaged by aggressive cleaning agents.

Recommended guidance



Clean with a **cotton cloth** and **warm water** before applying the cleaning product.



Use **PH-neutral** or slightly acid cleaning products only (including aromatised ones).



Ethylic alcohol, isopropyl alcohol or **ethylene glycol** based multipurpose cleaning products and dish soaps are suggested. Dilute the cleaning product in warm water and apply using a wet cotton cloth.



Grease, glue and paint may be removed with **ethylic alcohol** or **isopropyl alcohol**.

DO NOT USE

- ✗ Abrasive cleaning agents
- ✗ Cleaning agents at high temperatures
- ✗ Antibacterial detergent
- ✗ Sharp tools to remove dirt (chewing gum, glue, etc.)
- ✗ Solvents based with Ketones, benzene, methanol, toluene (methylbenzene or phenyl methane)
- ✗ Alkaline and ammonia based cleaning agents or ones containing citrus

DO NOT leave cleaning agents on the parts for long periods of time: remove immediately after cleaning using a damp cotton cloth.