

# Touchless Landing Unit

Dewhurst's innovative standalone 'wave to call' touchless unit is perfect for landings and lift cars in low rise buildings. The unit enables users to call the lift without touching the button, improving their experience whilst reducing touchpoints in the building.

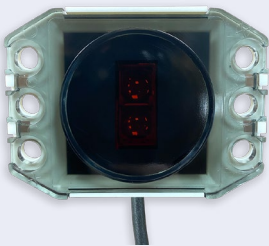
The vandal resistant, low profile unit has been designed to be placed in parallel with a pushbutton to provide DDA code compliance.



## Components

The Touchless Landing Unit wires up to the relay board.

Touchless Landing Unit (sensor)



Relay board



## Legends

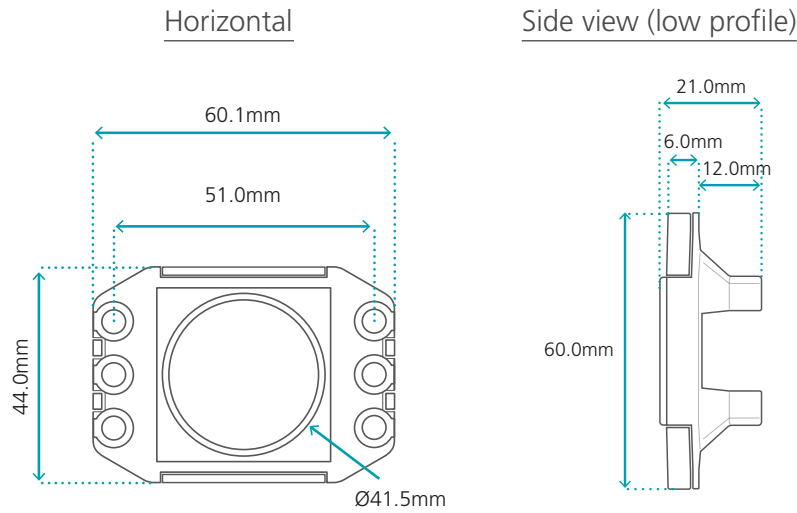
There are four legend options which can be stuck above or below your touchless landing unit, as shown:



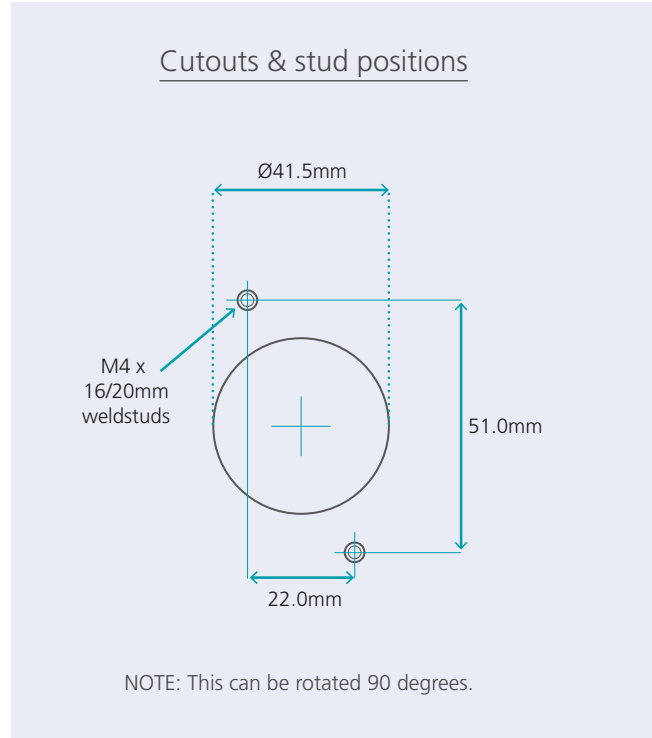
## Key features

- Miniature design with versatile mounting options.
- Extended temperature range: -40°C to 60°C.
- Sensor adjustment range: 60 to 1100mm.
- Low profile and vandal resistant product with sensor standard lifetime of 20 years.
- High degree of protection IP69K.
- IO-link interface for service and process data.
- Infrared light design.

# Dimensions



The unit can also sit vertically within the fixture.



# Technical details

## Part numbers

<b>Relay board</b>	0014-0003
<b>Sensor</b>	0010-0026

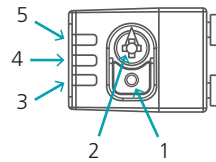
## Relay board

<b>Contact arrangement</b>	2 N/O
<b>Contact resistance</b>	100mΩ max. (at 10mA 30mV DC)
<b>Contact material</b>	AgNi + Au plated
<b>Contact rating (resistive load)</b>	1A 125V AC, 2A 30V DC
<b>Max. switching voltage</b>	240V AC/120V DC
<b>Max. switching current</b>	2A
<b>Max. switching power</b>	125VA/60W
<b>Min. applicable load</b>	10mV 10μA

## Sensor

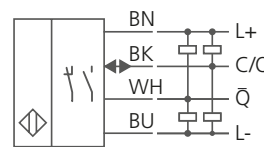
<b>Switching type</b>	Adjustable
<b>Signal output</b>	2 push-pull (4 in 1) outputs, short circuit protected, reverse polarity protected, overvoltage protected
<b>Switching voltage</b>	30 V DC max.
<b>Switching current</b>	100 mA max. (resistive load)
<b>Usage category</b>	DC-12 and DC-13
<b>Voltage drop</b>	$U_d \leq 1.5$ V DC
<b>Switching frequency</b>	f 1000 Hz
<b>Response time</b>	0.5 ms

## Sensor indicator/operating means



1. Light on/dark on changeover switch
2. Sensitivity adjuster
3. Operating indicator/dark on
4. Signal indicator
5. Operating indicator/light on

## Sensor electrical connection



<b>Operating Voltage</b>	$U_b$ 10 - 30 V DC
<b>Detection range</b>	2 - 1100mm
<b>Detection range (min.)</b>	10 - 60mm
<b>Adjustment range</b>	60 - 1100mm
<b>Light source</b>	LED
<b>Ambient temperature</b>	-40°C - 60°C (fixed cable) -25°C - 60°C (moveable cable, not appropriate for conveyor chains)

We operate a policy of continuous product development and reserve the right to change or improve specification without prior notice. E & OE. All information within this document is for guidance only and does not form the basis for contract. The product images shown are for illustration purposes only and may not be an exact representation of the latest version of the product. ©2021 Dewhurst. All Rights Reserved.  
Unit 9, Hampton Business Park, Feltham, TW13 6DB

Please consider the environment before you print this data sheet.

