



## Dewhurst US97 Rail Pushbutton

The US97 Rail Pushbutton has been designed with a clean timeless appearance. It has been designed according to the guidelines of The Rail Vehicle Accessibility Regulations and is easy to identify and use. The pushbutton benefits from a brightly illuminated legend for easy viewing in darkness as well as daylight.

### Features & Benefits

- 15mm tactile legend
- Low profile
- Raised pressel for palm operation
- Tactile feedback
- Meets (EN60529) IP66 and IP67 front and rear protection
- 300mm cable length as standard
- Options on cable length, LED colour and connectors available
- Separate halo and symbol/legend illumination
- Range of symbols and finishes
- Customised symbols or finishes
- Low actuation force and good tactile feel for disabled users
- Vandal resistant and weatherproof
- Cost effective solution for passenger controls
- Front or rear mounting
- Meets the requirements of the Rail Vehicle Accessibility Regulations (RVAR)
- Designed specifically for the rail industry
- Separate illumination control for legend and halo

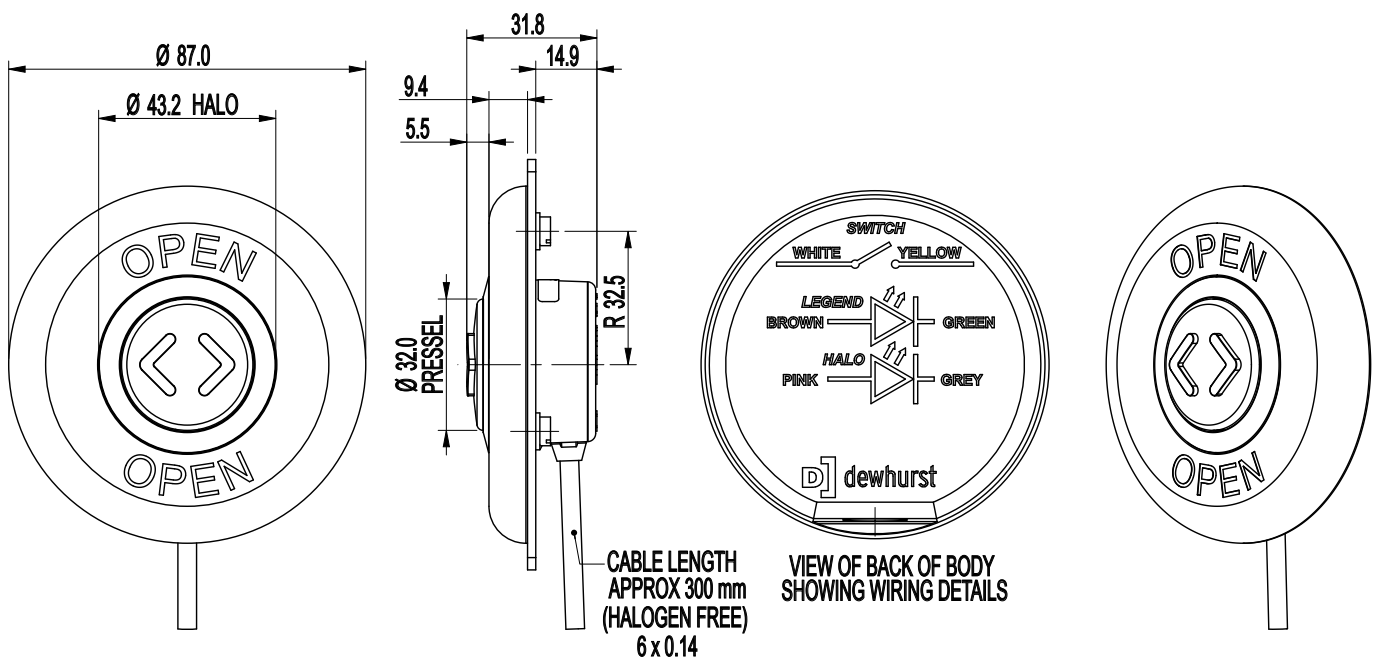


## Illumination, Finishes & Marking

- Wide range of colours for illumination including non, white/red, white/yellow, white/green, white/blue and white/white (symbol/halo)
- Range of pressel finishes including shot-blast stainless steel and anodised aluminium
- Separate symbol/legend and halo illumination
- A range of symbols/legends are available
- Tactile symbols/legends are formed during the moulding of the pressel body and are opal 15mm high characters, raised 1.5mm
- Front bezel available in various colours, with or without Braille
- Symbols/legends can be supplied opaque if required



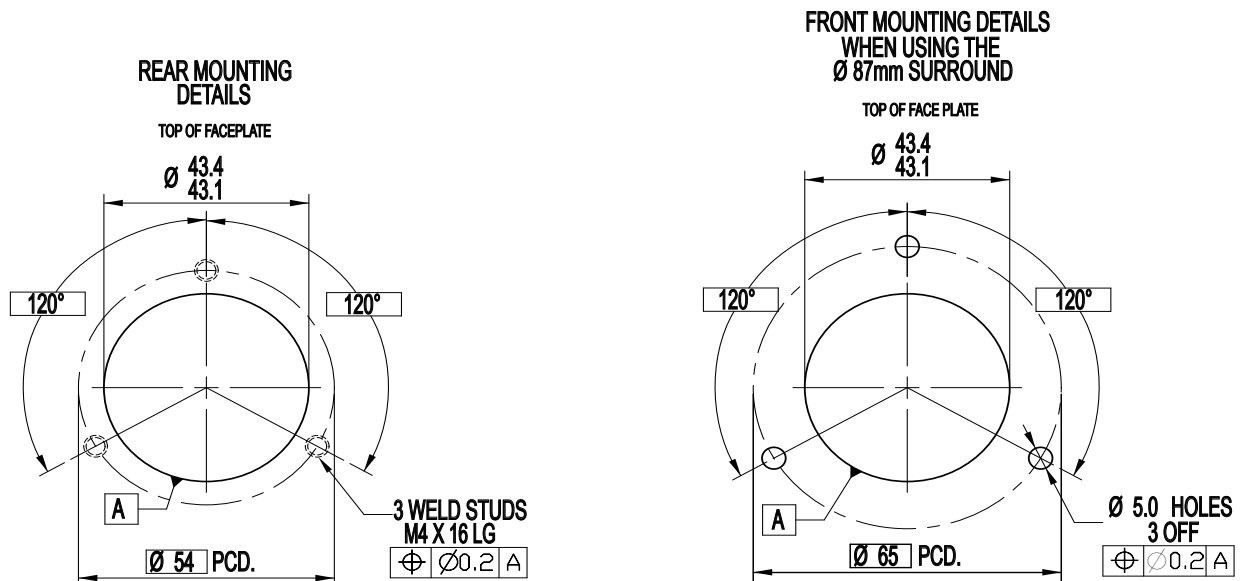
## Dimensions



## Technical Details

Mechanical characteristics	
Weight:	57grms
Pressel size:	Ø32mm x 5.5mm
Symbol height:	15mm high
Activation force:	7N
Pushbutton size:	53.3mm w x 56.9mm h x 31.8mm d (without bezel)
Front bezel (round) size:	Ø87mm x 9.4mm d
Front bezel (square) size:	87.0mm w x 87.0mm w x 9.4mm d
Connection method:	Cable 6 core, wire cross section 0.14mm <sup>2</sup>
Cable length & connectors:	300mm (standard) option for other cable lengths and connectors
Material	
Body and front moulded in:	High grade polycarbonate (PC) UL94 (VO)
Pressel cap material:	Shot blast stainless steel 304 (standard) or anodised aluminium
Connection cable:	Polyurethane (PUR), halogen free
Electrical characteristics	
LED current (symbol):	<20 mA (2 LED's)
LED current (halo):	<20 mA (7 LED's)
LED voltage:	24-110V a.c./d.c. ±30%
Switch ratings:	Minimum 5V d.c., 5mA Maximum 137V a.c./d.c., 200 mA
Electrical life:	Minimum number of operations: 1 x 10 <sup>6</sup>
Contact arrangement:	1 N/O
Environmental characteristics	
Vandal resistant, suitable for internal or external use	
Storage temperature:	-45°C to +90°C
Operating temperature:	-40°C to +80°C
IP Rating:	IP66 & IP67 (front and rear) protection
Standards & Approvals	
Standards:	EN50155, EN55022 (EMC)
Approvals:	Declaration of Conformity - CE, RoHS EN50155,

## Cutout, Stud and Hole Positions



## Cleaning your US97 Pushbutton

Many **Dewhurst** lift products are made of **polycarbonate** (Using GE's **Lexan®** or Bayer's **Makrolon®**).

The US97 Pushbutton is highly durable but the plastic parts can be damaged by aggressive cleaning agents, Dewhurst therefore recommends:



Clean the part with a **cotton cloth and warm water** before applying the cleaning product



Use **PH-neutral or slightly acid cleaning products only** (including aromatised ones) Ethylic alcohol, isopropyl alcohol or ethylene glycol based multipurpose cleaning products and dish soaps are suggested.



Dilute the cleaning product in warm water and apply using a wet cotton cloth.



**Grease, glue and paint** may be removed with ethylic alcohol or isopropyl alcohol.

### Recommended Cleaning Products (\*):

Europe	North America
Windus - Brial Top - Ecolab Mr. Proper Surfaces Delicates - Proctor & Gamble Palmolive, Colgate Palmolive	Formula 409® Cleaner Degreaser Joy®, Proctor & Gamble Windex, Drackett Products Palmolive, Colgate Palmolive

(\*): Due to the vast number of cleaning products available on the market, the list of recommended products above is an illustration only

### Note:

- Do not use abrasive cleaning agents
- Do not use sharp tools to remove dirt (chewing gum, glue, etc.)
- Do not use solvents based with Ketones, benzene, methanol, toluene (also known as methylbenzene or phenyl methane) or alkaline and ammonia based cleaning agents
- Do not use cleaning agents at high temperatures
- Do not leave cleaning agents on the parts for long periods: remove immediately after cleaning using a wet cotton cloth and warm water
- Do not use dry cotton cloths and sponges