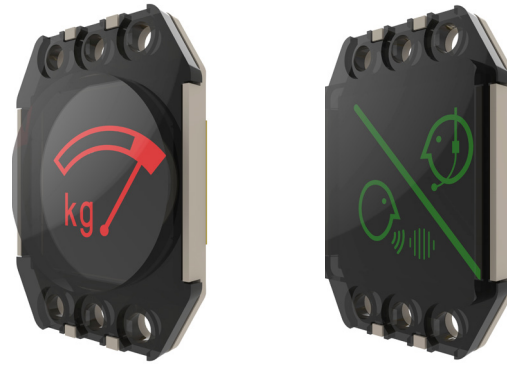


INDICATORS

InForm HIDDEN LEGEND



Publication Number PB196/0418

Application

The New InForm Dewhurst Hidden Legend Indicators are economically priced, vandal resistant indicators, whose clean design will match the decor of any lift. Available in square or round, can be mounted vertical or horizontally with stand-ard and low profile body options.

Back lighting of the pressel window ensure a brilliant and clearly illuminated legend, easily visible at long distances and from wide angles.

Operation

The large legend is brilliantly lit by *LED illumination*. The surface mounted LED's brightly illuminate the transparent legend plate. 12V, 24V or 30V units are available and both will accept a.c. or full wave rectified d.c. with a $\pm 15\%$ voltage tolerance, taking approximately 20mA of current. The average operating life of the Illuminator is in excess of 100,000 hours. Colours available are red, green and amber.

The indicator body and hidden legend screen are made from flame retardant polycarbonate to provide a high degree of vandal resistance.

Connections are by 250 series faston female, fully insulated connectors.

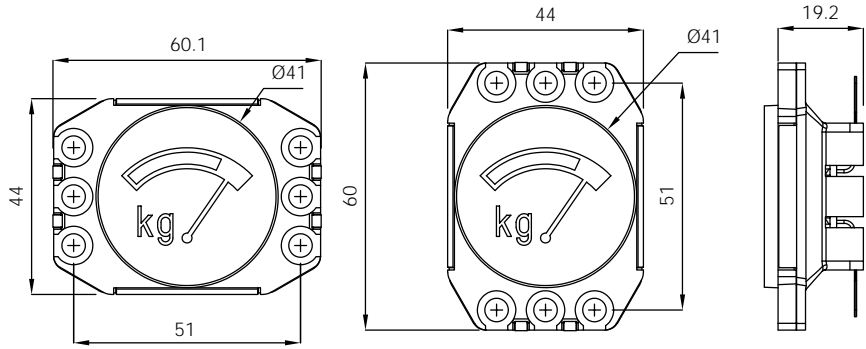
Indicators can be supplied loose or incorporated into stations with 1.5mm to 3mm stainless steel faceplates at a 45mm horizontal pitch. Frontal IP rating is IP54.

Markings

InForm Hidden Legend Indicators are available with a wide range artworks, which can be special functions such as 'Out of Service' symbol or just text. The hidden legend front assembly has two parts, a front window (round or square) and a legend artwork plate. This plate can be mounted in any front window and rotated to suite the mounting option required. These legend window made from dark polycarbonate which render the legend completely invisible until illuminated.

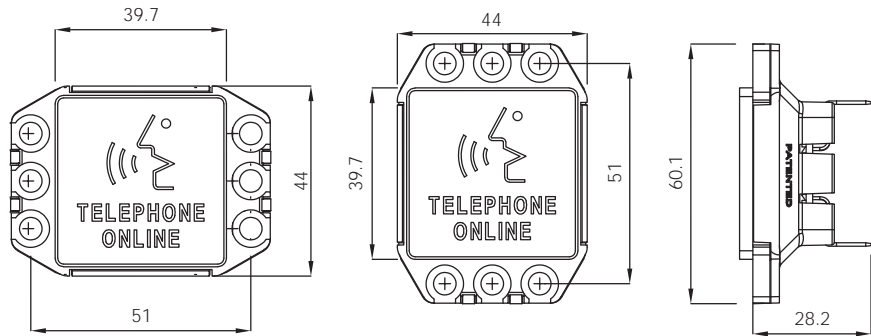
InForm (Round)

Low profile body shown, standard also available



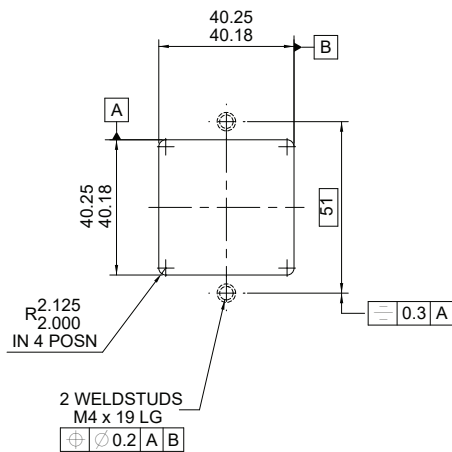
InForm (Square)

Standard body shown, low profile also available

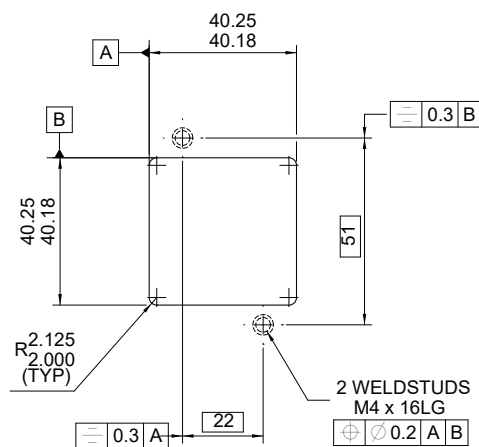


Cutouts and stud positions

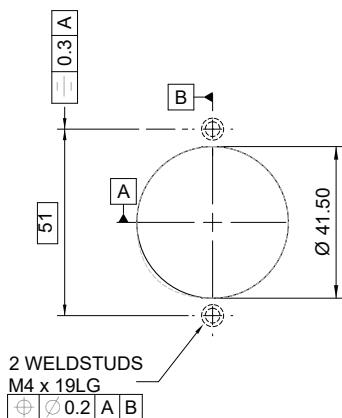
InForm Square (Standard)



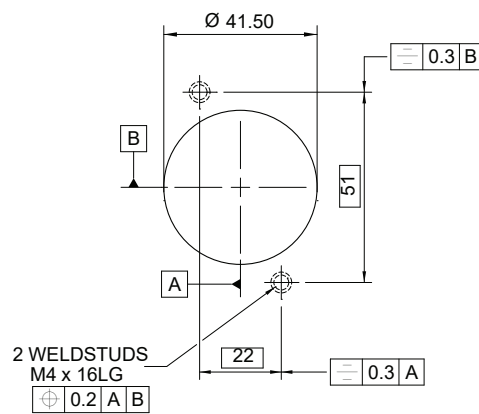
InForm Square (Low Profile)



InForm Round (Standard)



InForm Round (Low Profile)



Details shown above are for vertical fixing, for horizontal fixing, details are rotated 90 degrees.