

Halo Touchless Car Operating System

The Dewhurst Halo Touchless Car Operating System brings touchless technology inside the lift car. The system actively monitors the area above the pushbuttons and is programmed to register calls when the user hovers their finger near the button. The sleek design and stand-alone nature of the system makes it perfect for new or existing installations.

The system works by providing a programmable touchless field which sits over the pushbuttons.

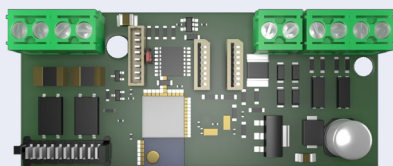


Max touch area per sensor:
320mm width x 346mm height.

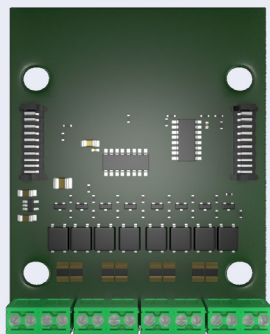
Components

The Halo system consists of three components:

(2) CPU board



(3) 8 way call card



(1) Halo sensor & housing



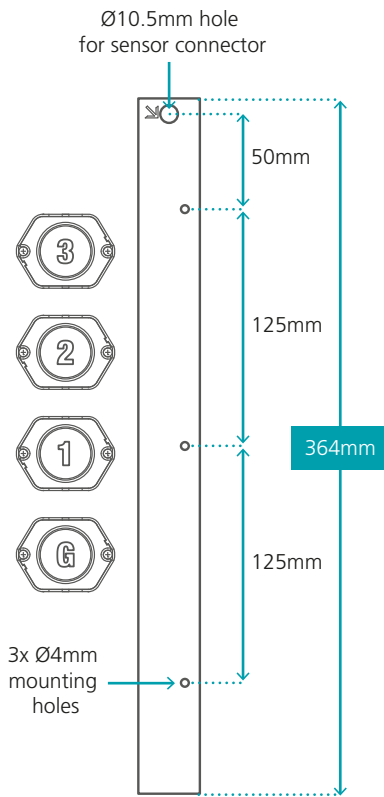
NOTE: standard touch area range of the Halo Sensor is 200mm. The extended version provides 320mm range.

Key features

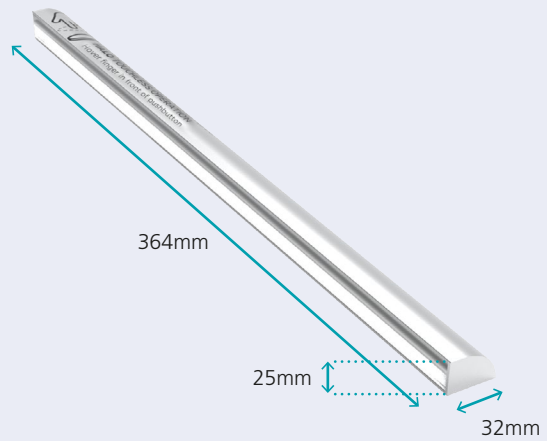
- Touchless operation reduces transmission of germs.
- Retrofittable to existing installations, and can be fitted either to the left or right.
- Compatible with Dewhurst touchscreen and pushbutton ranges.
- Works alongside traditional pushbuttons for code compliance.
- Customisable to your panel layout.

Dimensions

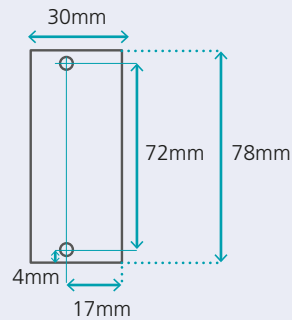
Mounting



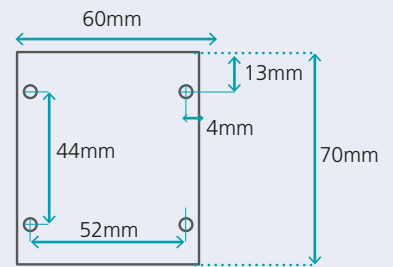
Halo sensor & housing



CPU board



8 way call card



Technical details

Halo sensor & housing

Operating temperature	-20°C to +65°C
Mounting holes	Three holes for M3 studs (Ø4mm)
Overall dimensions	31.5mm width X 364mm height X 22mm depth
Material	Aluminium housing with plastic end caps
Cleaning	Wipe with a damp cloth

CPU board

Operating Voltage	8-26 VDC
Maximum current	100 mA (depends on load)

LED illumination

Operating Voltage	24 VDC
Maximum current	120 mA

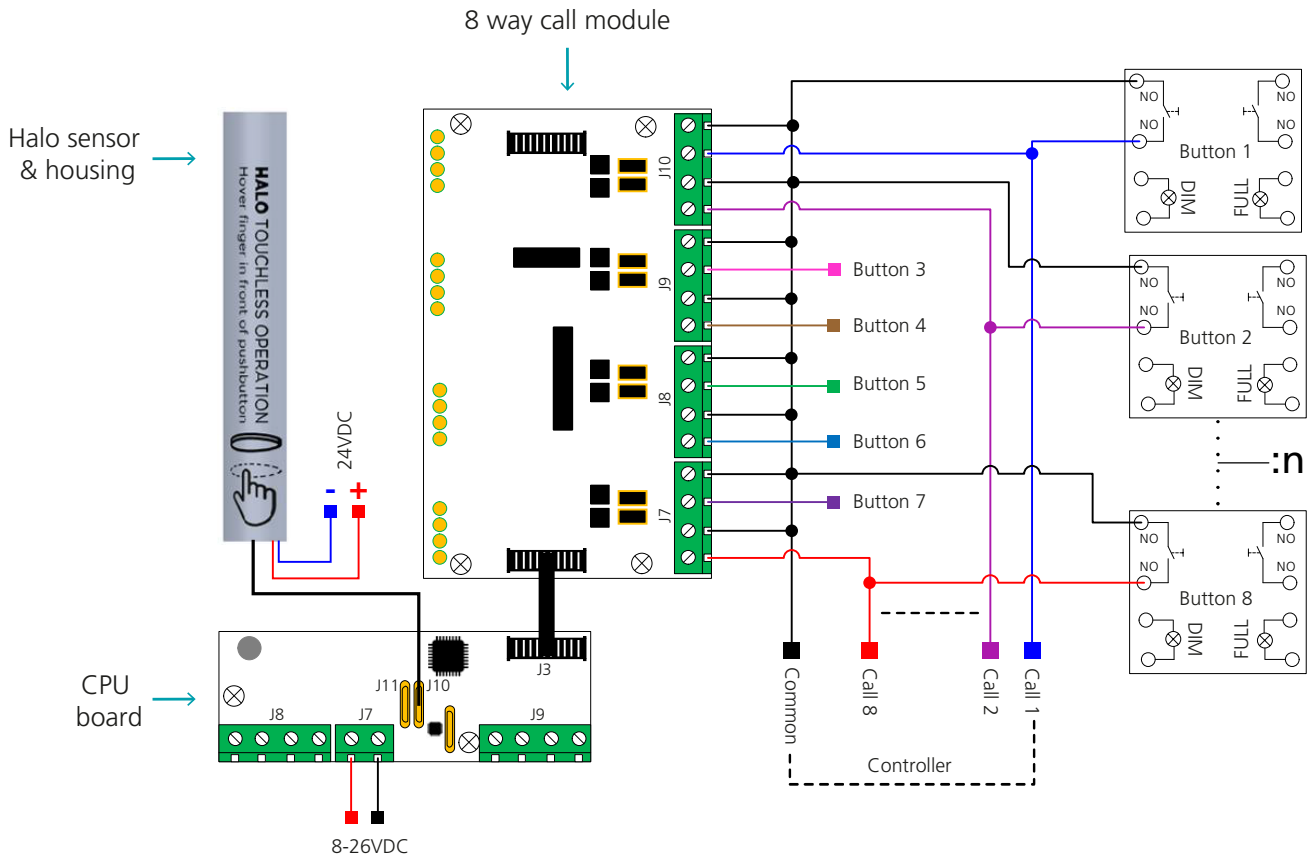
8 way call card (8 solid state relays)

Isolation voltage	3.75 kV
Maximum output voltage	60V
Maximum load current	100 mA
Maximum 'ON' resistance	5 Ohm
Maximum 'OFF' leakage	1µA

Part numbers

Halo sensor & housing	149R-0004-002
CPU board	520902-210804
8 way call card	520902-210806

Wiring diagram



We operate a policy of continuous product development and reserve the right to change or improve specification without prior notice. E & OE. All information within this document is for guidance only and does not form the basis for contract. The product images shown are for illustration purposes only and may not be an exact representation of the latest version of the product. ©2021 Dewhurst. All Rights Reserved.
Unit 9, Hampton Business Park, Feltham, TW13 6DB

Please consider the environment before you print this data sheet.



Version 31/08/2021