

D Blade Indicator Lantern

The D Blade has a clean contemporary design, ideally suited to prestigious office and apartment buildings where there are three or more lift cars.

It is made out of high gloss black acrylic and has an illuminated arrow which clearly identifies the lift that has arrived. The blade is available for both flush mount and surface mount fixtures.



Sizes

The D Blade Lantern comes in two different size options: terminal (one arrow, pictured right) and intermediate (displays both arrow up and arrow down indicators).

Fixing options

The D blade lantern is available with or without the surface mount fixture, with the option of hidden fixings.

Illumination

Indicator arrows can be illuminated in a wide range of colours including blue, white, red and green. The LED illumination is long-life, lasting up to 100,000 hours.

Gong options

The D blade lantern works with Dewhurst CJ50, CJ60 and CJ70 electronic gongs.

Key features

- Innovative design with a smart and modern look, providing your lift with a custom appearance.
- Different size options available.
- Meets DDA requirements.
- Range of illumination arrow colours.
- Easy installation and mounting options.

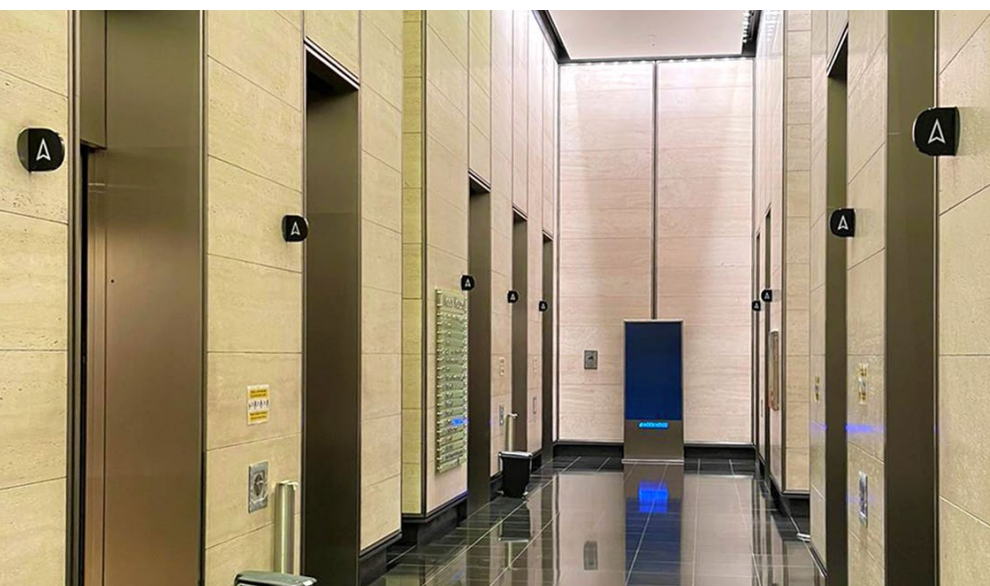
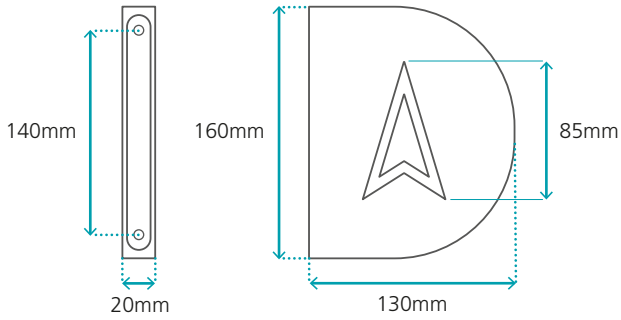


Image above shows Terminal D blade indicator lantern - flush mount with a white arrow

Product image (top right) shows terminal D blade indicator lantern with surface mount and a green illuminated arrow

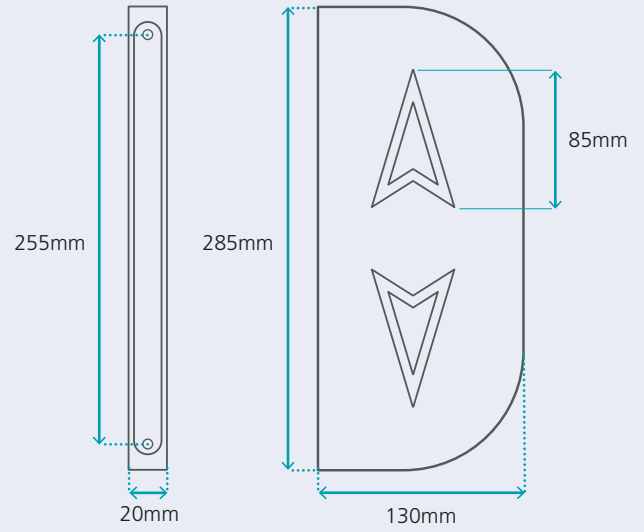
Dimensions

Terminal D Blade



NOTE: Dimensions show D blade without surface mount fixture

Intermediate D Blade



Technical details

Blade material	High gloss black acrylic
Voltage	24V DC
Current	100mA
LED illumination	Long life - 100,000+ hours