

# Alarm Pushbutton Cover

Dewhurst's alarm pushbutton covers are designed to prevent false elevator alarm calls.

Specifically designed for the elevator environment, the product protects the alarm pushbutton from nuisance calls without compromising passenger safety.

Three sizes cover the majority of lift alarm pushbutton installations:

- Jumbo - 1022-0075
- Standard - 1022-0077
- Narrow - 1022-0080

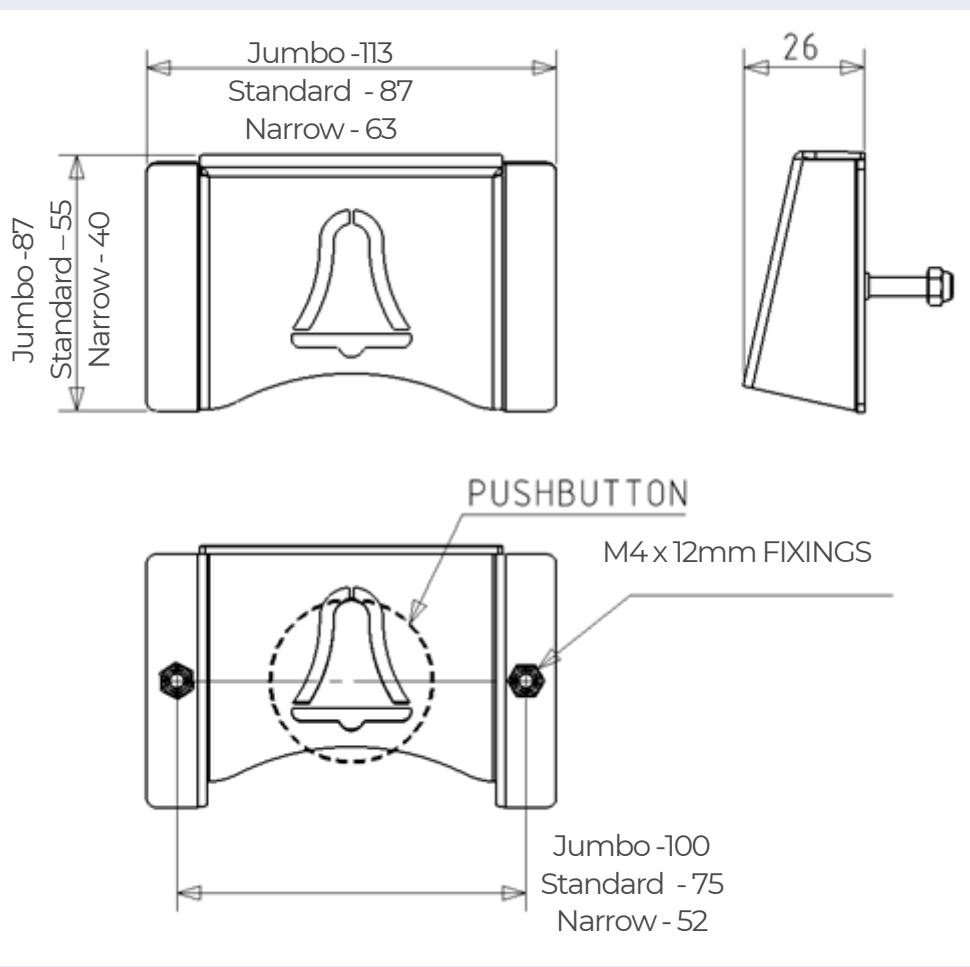
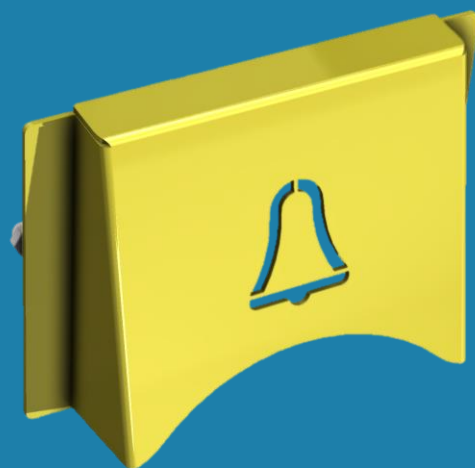


Image shows Dewhurst alarm pushbutton cover



## Key features

- Tangible alarm pushbutton symbol complies with ISO 7010 and EN81-70
- 3x sizes, Jumbo, Standard and Narrow to cater for a wide range of lift alarm pushbutton installations
- Simple install with robust, vandal resistant fixing method
- Attractive and visible RAL1003 Signal Yellow finish over Stainless Steel
- Accessible design to ensure passenger safety