



Installation and setting  
instructions

## **Flasher and Buzzer Unit**

Type CJ10

**Publication number II002/1211**

**Part Number: 002095-000001**

### **Important**

**These instructions must remain with the product to ensure correct installation. If extra copies are required please contact Dewhurst UK Manufacturing Ltd and quote publication number and issue**

If you have any problems or questions, please contact our technical support desk direct on **+44 (0)20 8744 8283/8227/8240** during office hours.

### **Dewhurst UK Manufacturing Ltd**

Unit 9, Hampton Business Park - Feltham - TW13 6DB - UK

Tel: +44 (0)20 8744 8200 Fax: +44 (0)20 8744 8299

Email: [info@dewhurst.co.uk](mailto:info@dewhurst.co.uk) [www.dewhurst.co.uk](http://www.dewhurst.co.uk)

## Introduction

The CJ10 series comprises a single solid state PCB assembly suitable for use with a.c. or d.c. power supplies.

Two versions are available, both versions have a lamp flasher drive circuit and one version also has an integral buzzer.

## Application

The CJ10 series may be used for flashing indicators, overload warning, out of service or any other warning indication as required.

Operation of integral or remote buzzers and alarms is also available. The CJ10 may also be used to operate a relay which in turn can control larger and/or high voltage loads.

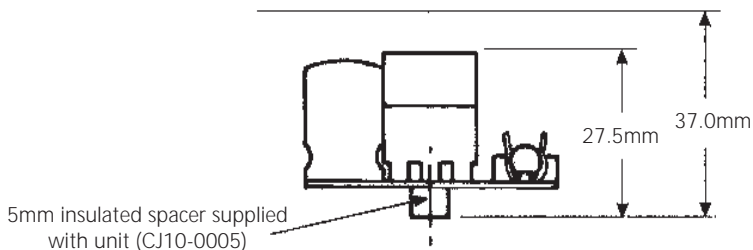
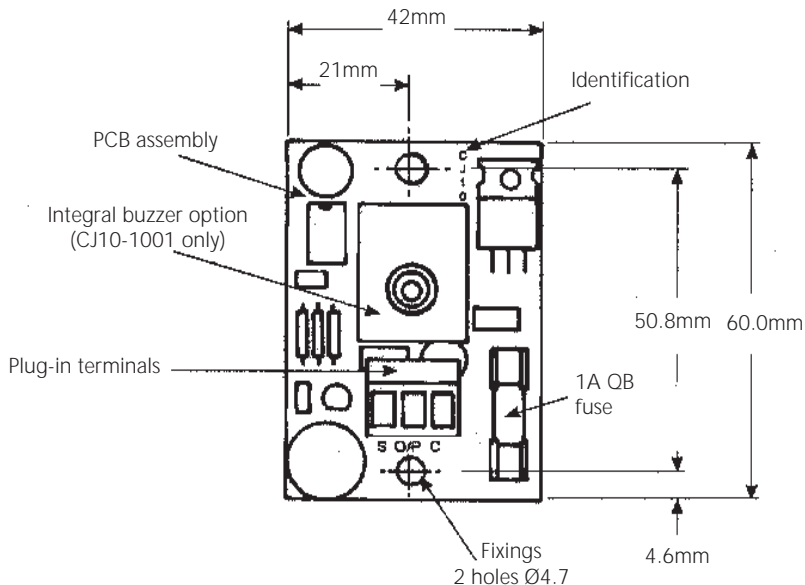
## Identification

The component side of the PCB is marked CJ10. When an integral buzzer is provided it is positioned approximately central on the PCB and in line with the terminals. See Figure 1.

## Specification

References	Flasher only	CJ10-0001
	Flasher with buzzer option	CJ10-1001
Power supply	12 to 24V a.c. 12 to 24V d.c.	
	Protected against transients	
Board power consumption	50mA at 12 volts	
Lamp drive capability	12 watts/VA at power supply voltage	
Flashing rate	Nominal 120 per minute (2-5Hz)	
Buzzer output	80dBA at 30 cm (450Hz)	
Environmental conditions	Operation	-20°C to +60°C
	Storage	-30°C to +85°C
	Relative humidity	95% non-condensing
Cable terminations	3-way, plug-in screw clamp - 1.5mm <sup>2</sup> cable	
Dimensions	60mm x 42mm x 37mm, including space for wiring. See Figure 1 for further details.	

## Physical details



The maximum height of the assembled board is only 22.5mm. Allow 37mm clearance as shown for wiring and heat dissipation.

The board may be mounted in any orientation and is designed to mount directly on standard M4 studs on the rear of a Dewhurst faceplate. If mounted in this way the 5mm thick insulated supports, supplied with the unit, must be used to avoid shorting the PCB to the faceplate.

# Typical applications

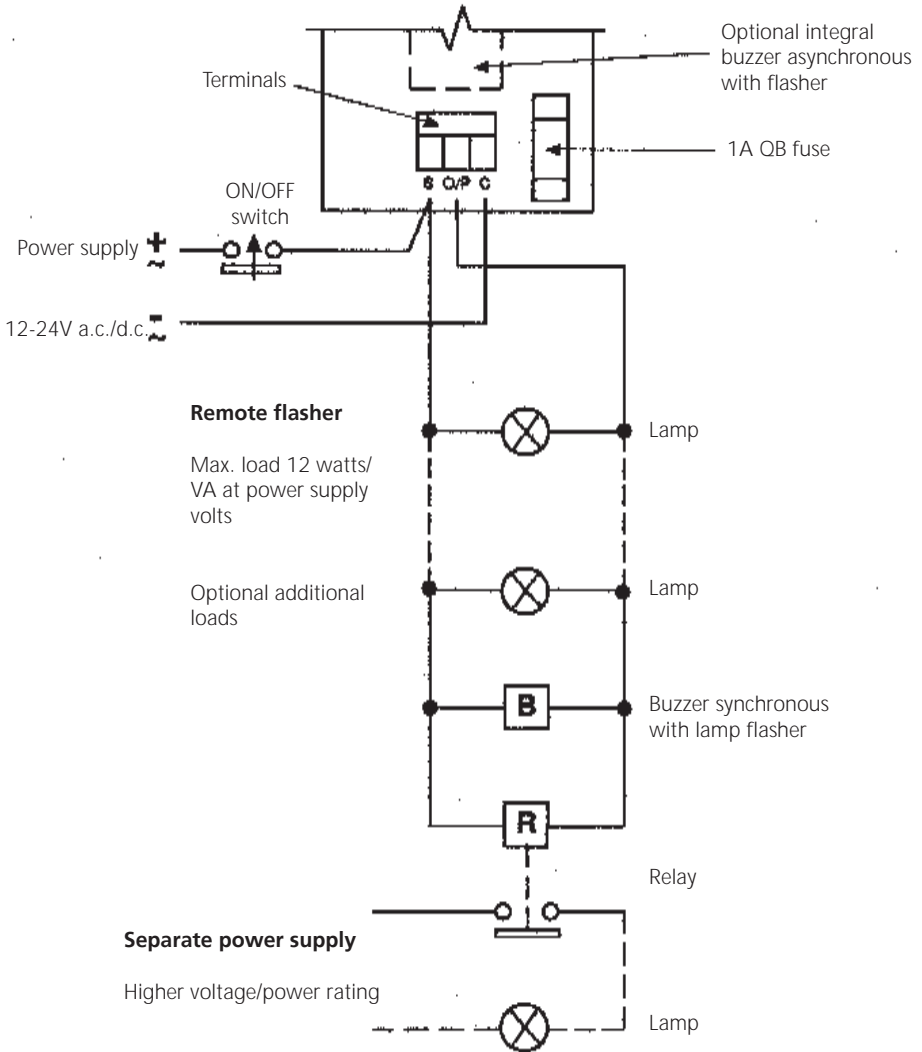


Figure 2 - Wiring Diagram