

pushbuttons

US97 Rail Pushbutton



US97 Rail Pushbutton

The US97 pushbutton has been designed with a clean timeless appearance. It has been designed according to the guidelines of The Rail Vehicle Accessibility Regulations and is easy to identify and use. The pushbutton benefits from a brightly illuminated legend for easy viewing in darkness as well as daylight.

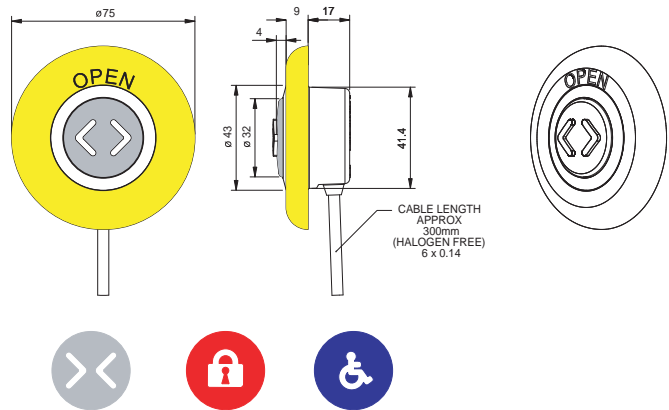
key features

- Tactile legend
- Meets requirements of The Rail Vehicle Accessibility Regulations
- Illuminated legend
- Tactile feedback
- Vandal resistant and weatherproof
- Front or rear mounting

Dewhurst plc
Inverness Road
Hounslow
Middlesex TW3 3LT UK

Tel: +44(0) 20 8607 7300
Fax: +44(0) 20 8572 5986
Email: info@dewhurst.co.uk
www.dewhurst.co.uk

specification



specification

- Moulding in high grade polycarbonate
- Meets IP66
- 1n/o contact as standard. 24v operating voltage
- A detailed datasheet for this product can be found on our website.

benefits

- Designed specifically for rail industry
- Cost effective solution for passenger controls
- Wide range of legends available
- Separate illumination control for legend and halo

options

- Can be supplied with opaque legends if required
- Aluminium or stainless pressel caps
- Wide range of colours for illumination

**For more information
on our pressel range
contact us at:**

Dewhurst plc
Inverness Road
Hounslow
Middlesex TW3 3LT UK

Tel: +44(0) 20 8607 7300
Fax: +44(0) 20 8572 5986
Email: info@dewhurst.co.uk

www.dewhurst.co.uk